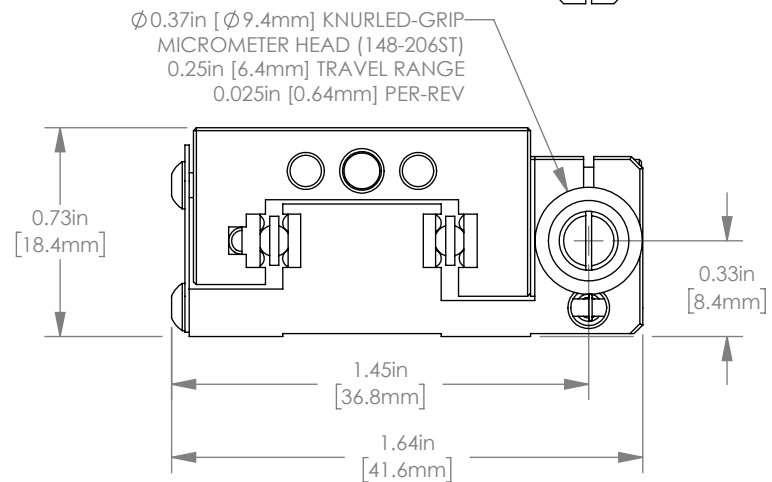
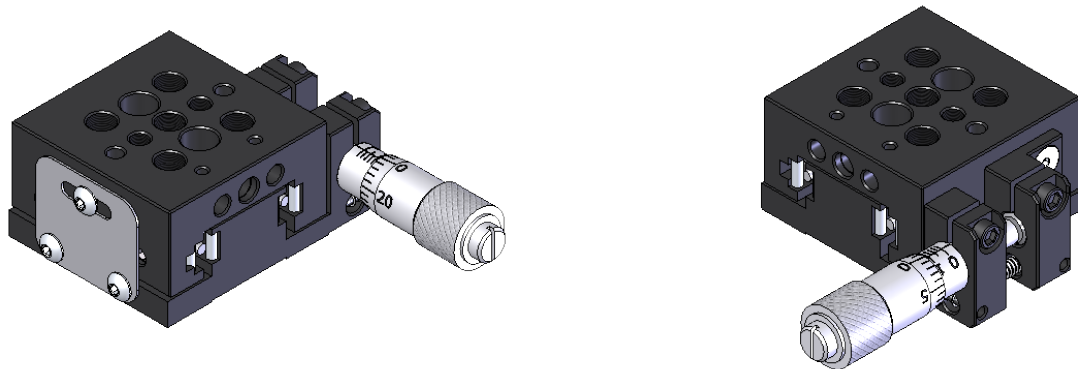


(2) Ø3/32in X 3/16in DOWEL PINS INCLUDED WITH PURCHASE



FOR INFORMATION ONLY  
NOT FOR MANUFACTURING PURPOSES

DRAWING PROJECTION			<b>THORLABS</b> www.thorlabs.com	
NAME	DATE	1/4in TRAVEL, SIDE-ACTUATED TRANSLATION STAGE		
DRAWN	CS	24/MAY/12	MATERIAL	N/A
APPROVAL	TLB	25/MAY/12	ITEM #	MS1S
COPYRIGHT © 2012 BY THORLABS				
VALUES IN PARENTHESIS ARE CALCULATED AND MAY CONTAIN ROUND OFF ERRORS				
			APPROX WEIGHT	0.03 kg
				REV C