

FWDM Device

Features

- Low insertion Loss
- Low PDL
- High channel isolation
- Excellent environmental reliability



Applications

- WDM system
- CATV



Specifications

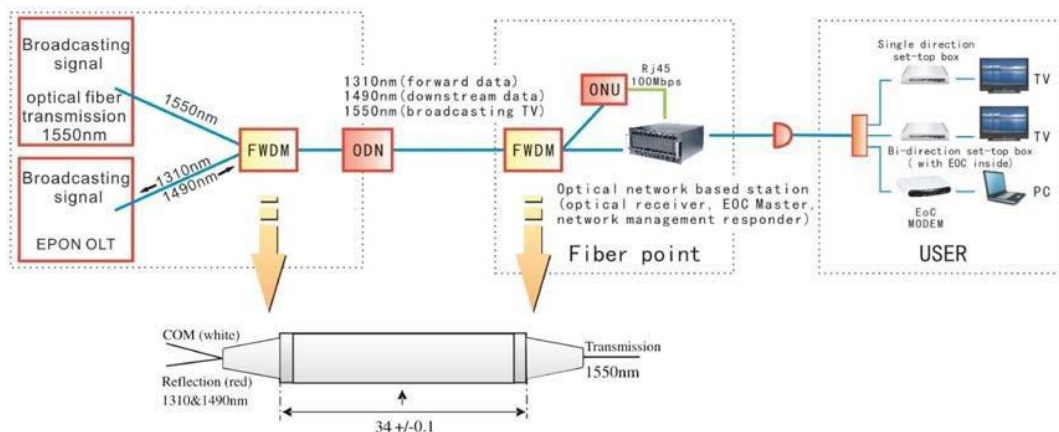
Parameters	Unit	SUN-FWDM Device			
Operating Wavelength T: transmission wavelength R: reflection wavelength 1310±50, 1490±10, 1550±10 1610±10, 1625±25, 1650±20	nm	1	T1550	R1310/1490	
		2	T1490	R1310/1550	
		3	T1310	R1490/1550	
		4	T1550/1610	R1310/1490	
		5	T1550/1625	R1310/1490	
		6	T1625	R1310/1490/1550	
		7	T1650	R1310/1490/1550	
		8	T1510 R1550	(T1500~1520 R1528~1620)	
		9	T1310/1490/1550/1610 R1650	(T1260~1625 R1640~1660)	
Insertion Loss	dB	Transmission: ≤ 0.6			
		Reflection: ≤ 0.4			
Transmission Channel Isolation	dB	≥ 30			
Reflection Channel Isolation	dB	≥ 17	≥ 20		
PDL	dB	≤ 0.1			
Wavelength thermal stability	nm/ °C	≤ 0.003			
Insertion loss thermal stability	dB/°C	≤ 0.005			
Return loss	dB	≥ 45			
Optical Power	mW	≤ 500			
Operating Temperature	°C	-10 ~ +70			
Storage Temperature	°C	-40 ~ +85			
Relative Humidity	%	5~ 95			
Dimension	mm	Φ5.5×34 or Φ5.5×38	Φ4.2×25	90×20×10	
Note: 1. Customization is available. 2. Specified without connector, and add an additional 0.2dB loss per connector.					

Ordering Information: SUN-FWDM-A-B-C-D-E

A	B	C	D	E
Wavelength	Tube Type	Fiber Length (Include connector)	Connector	Dimension
T15R13/14: T1550 R1310/1490 T14R13/15: T1490 R1310/1550 T13R14/15: T1310 R1490/1550 T15/16R13/14: T1550/1610R1310/1490 X: Others	25: 250um 90: 900um 20: 2000um 30: 3000um X: Others	05: 0.5m±0.05m 10: 1.0m±0.05m 15: 1.5m±0.05m X: Others	OO: None FP: FC/PC FA: FC/APC SP: SC/PC SA: SC/APC STP: ST/PC LP: LC/PC LA: LC/APC X: Others	5538: Φ5.5×38mm 5534: Φ5.5×34mm 4225: Φ4.2×25mm 9021: 90×20×10mm X: Others

FWDM Applications in There in One Network

Three networks in one -- FWDM application



Multiplexes 1550nm TV signal onto PON (1490 forward data and 1310 downstream data) with WDM, which can realize single fiber bi-direction wavelength transmission.