



1310/1550nm Fused WDM

FEATURES

- Low Insertion Loss
- High Isolation
- Compact Size
- Top Quality-Price Ratio

APPLICATION

- Long-Haul Uni and Bi-Directional Telecommunications System
- Digital, Hybrid and Am-video Systems
- High-Speed Multi-Wavelength Systems
- CATV Links & Fiber Sensors

PERFORMANCE SPECIFICATIONS

Parameter	Specifications		
Type	WA (Standard)		WB (High Isolation)
Operating Wavelength	1295 ~ 1325 nm / 1528 ~ 1565 nm		
Grade	P	A	P
Insertion Loss (Max.)	≤ 0.30dB	≤ 0.40dB	≤ 0.70dB
Isolation	≥ 17dB	≥ 16dB	≥ 34dB
Polarization dependent loss	≤ 0.10dB		
Return loss	≥ 55dB		
Directivity	≥ 60dB		
Operating Temperature	- 10 to +70 (- 40 to +85 Available upon request)		
Storage Temperature	- 40 to +85°C		
Package Type	A, C, S		S, F
Package Dimensions	A= Standard, Φ3.0xL54mm for 250um fiber, Φ3.0xL60 for 900um fiber C=L98xW14xH8.5mm (900um, 2 and 3 mm fiber jacket) S=L89xW51xH9.2mm (900um, 2 and 3 mm fiber jacket) F=L89xW51xH8.0mm (900um, 2 and 3 mm fiber jacket)		

All values referenced are without connector.

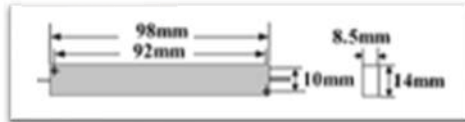
1310/1550nm Fused WDM

MECHANICAL DIMENSIONS

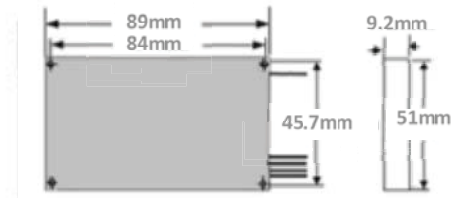
A Package



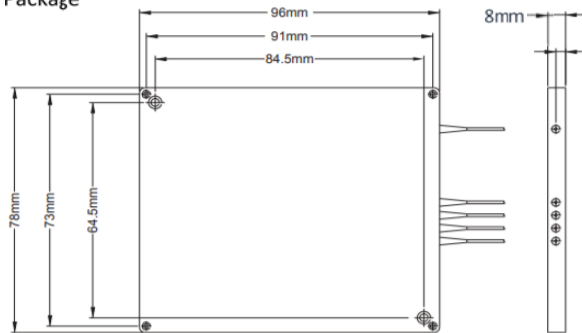
C Package



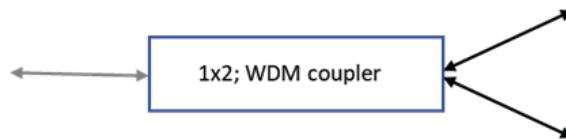
S Package



F Package



CHANNEL CONFIGURATIONS



ORDERING INFORMATION

Grade	Operating Wavelength	Type	Port	Package	Fiber Type*	Pigtail Style	Fiber Length	In Connector	Out Connector
P=P grade	3155=1310/1550nm	WA=Standard isolation	102=1x2	A= A package	2=SMF-28 Ultra	1=Bare fiber	05=0.5m	0=None	0=None
A=A grade		WB=High isolation	202=2x2	C=C package	(G.657.A1)	2=900um	10=1.0m	1=FC/APC	1=FC/APC
				S=S package		loose tube	·	2=FC/PC	2=FC/PC
				F= F Package		3=3mm jacket	·	3=SC/APC	3=SC/APC
						4=2mm jacket	·	4=SC/PC	4=SC/PC
						5=1.6mm jacket	20=2.0m	5=ST	5=ST
								6=LC/UFC	6=LC/UFC
								7=LC/APC	7=LC/APC

*1=SMF-28(G.652) is available upon request.