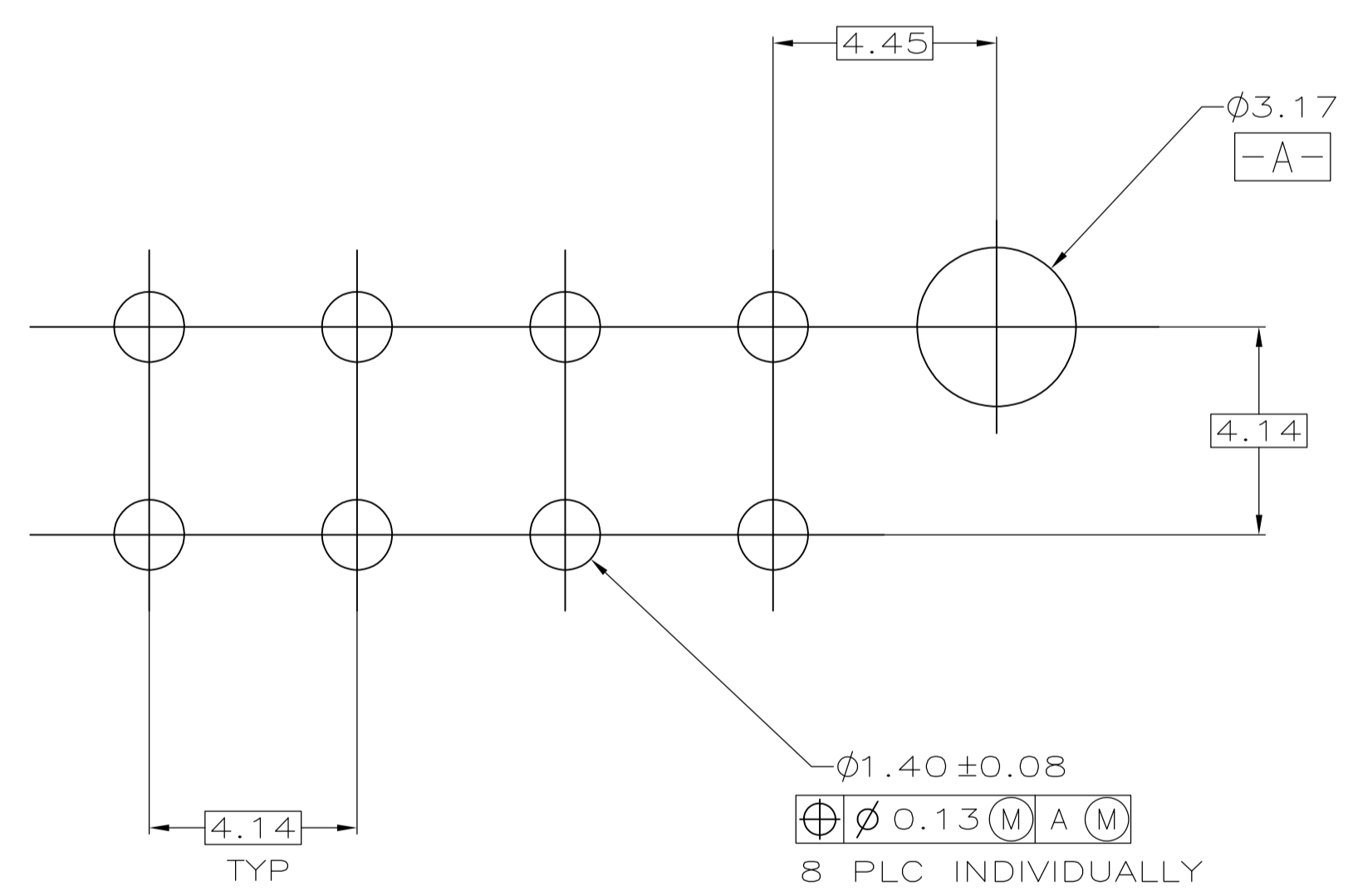
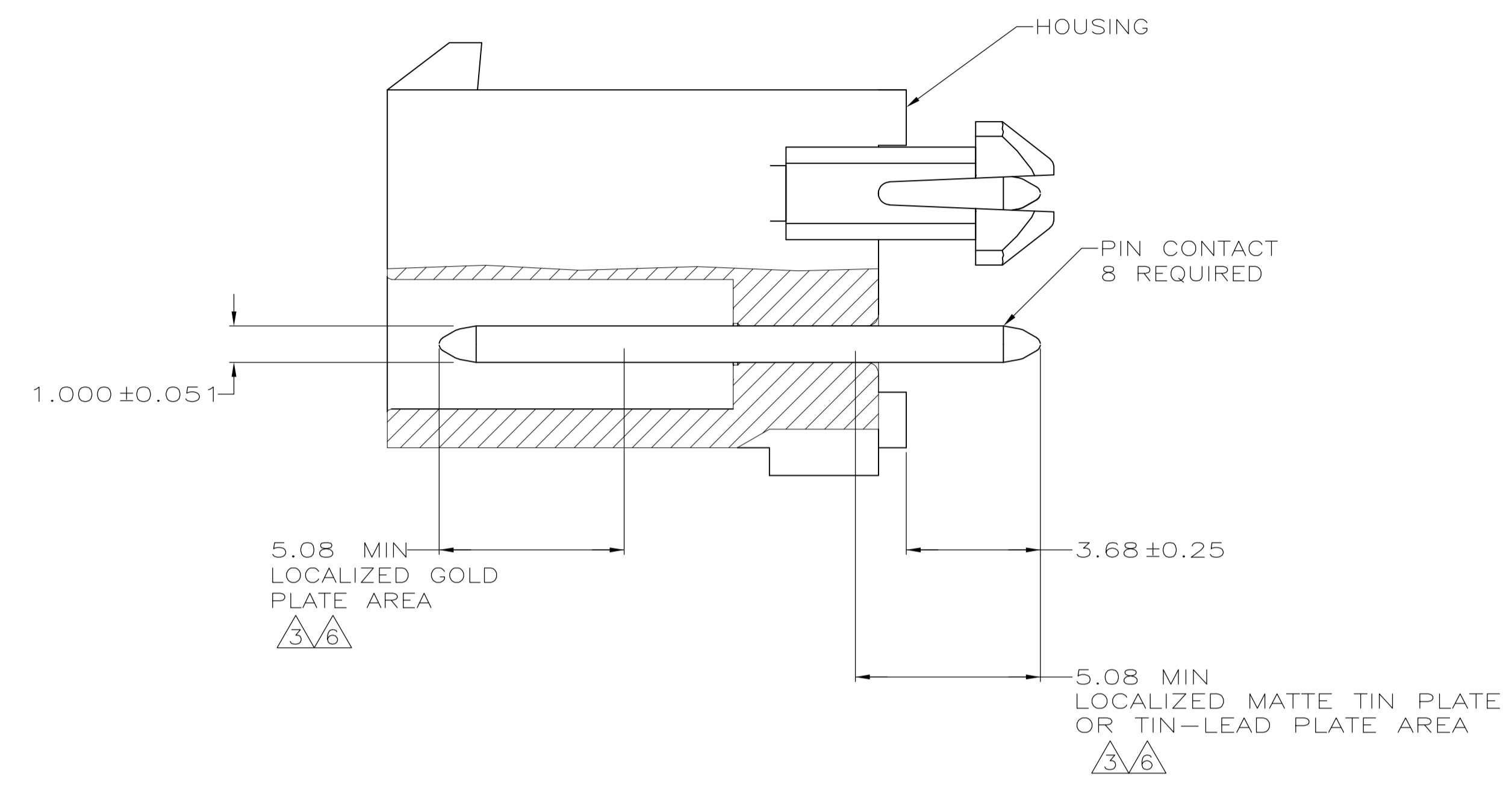
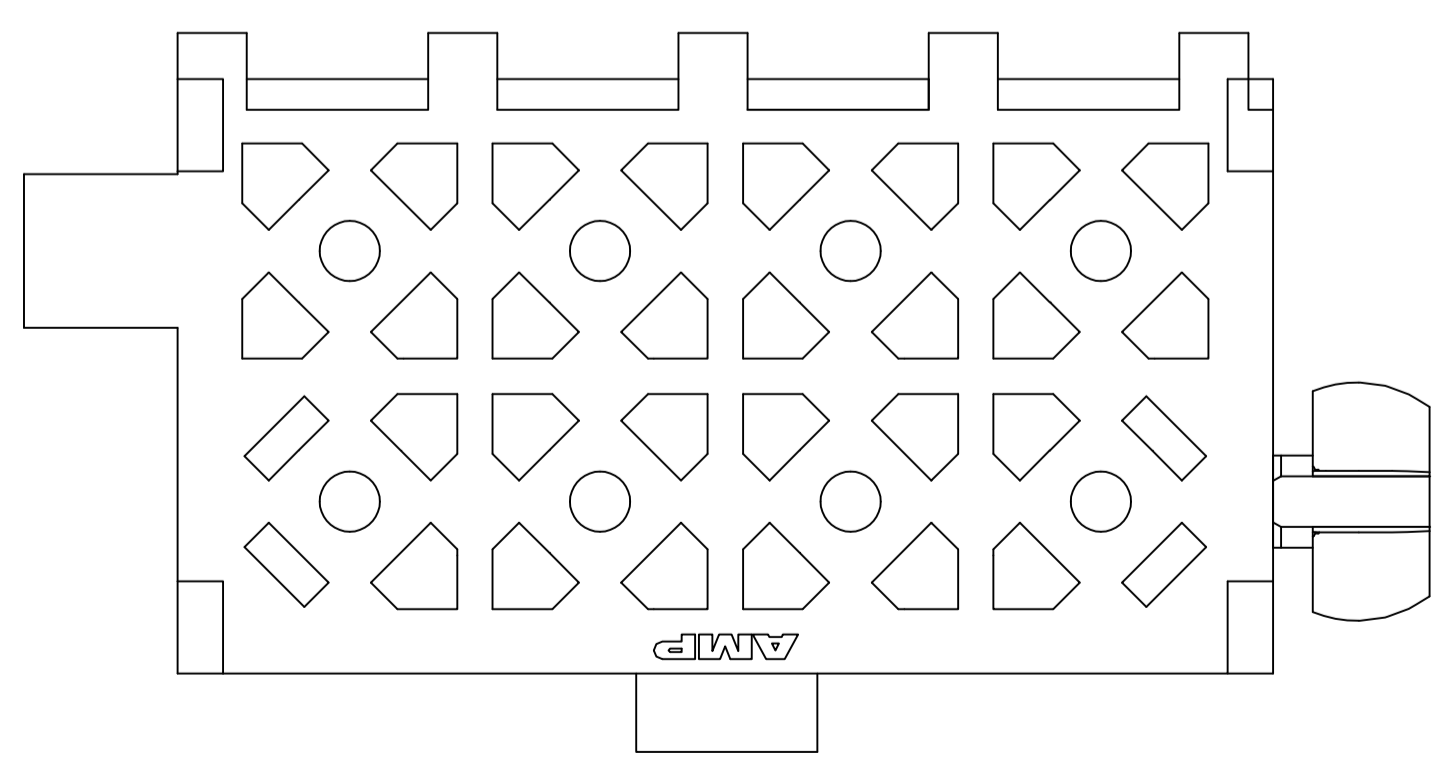
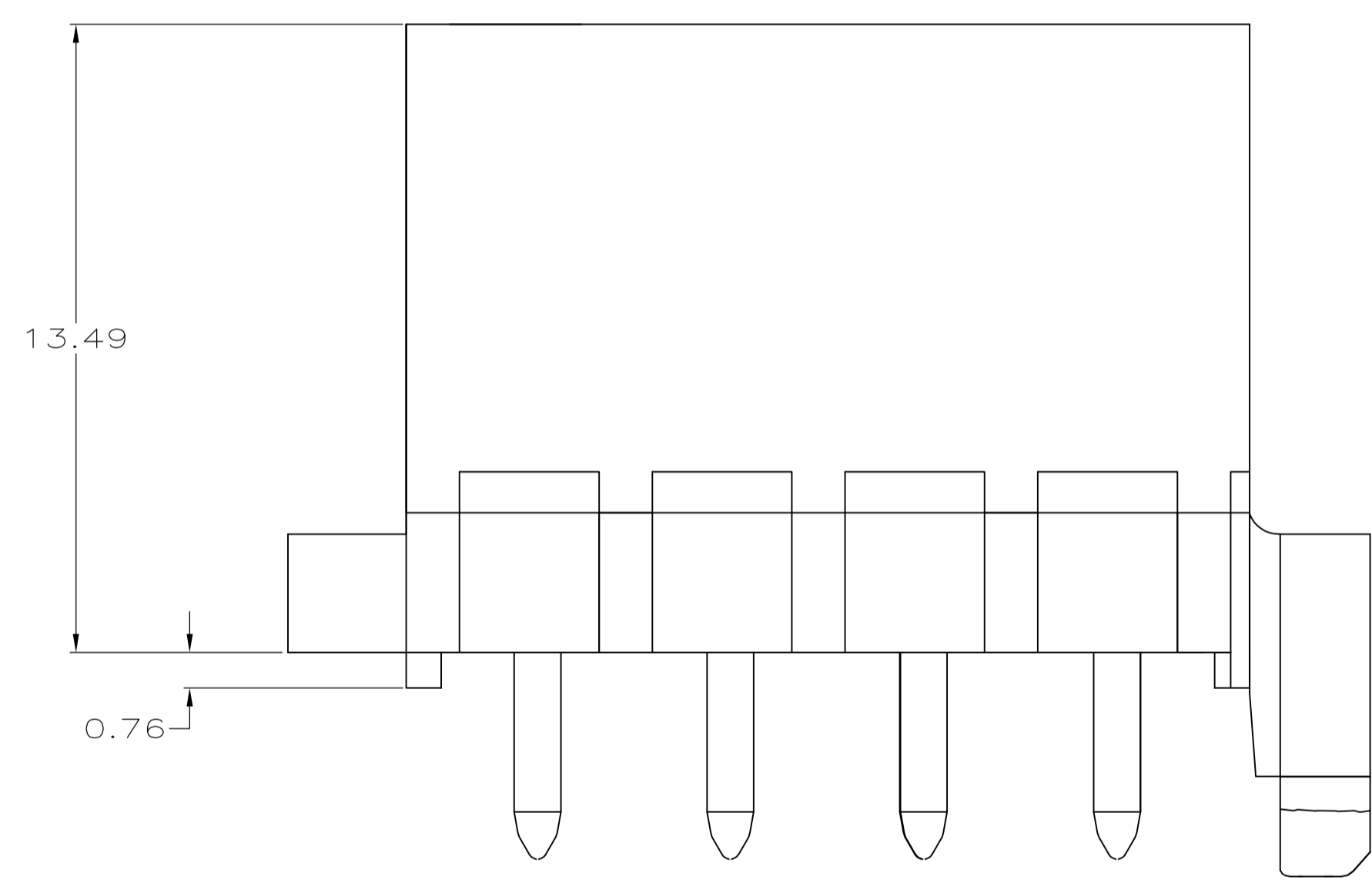
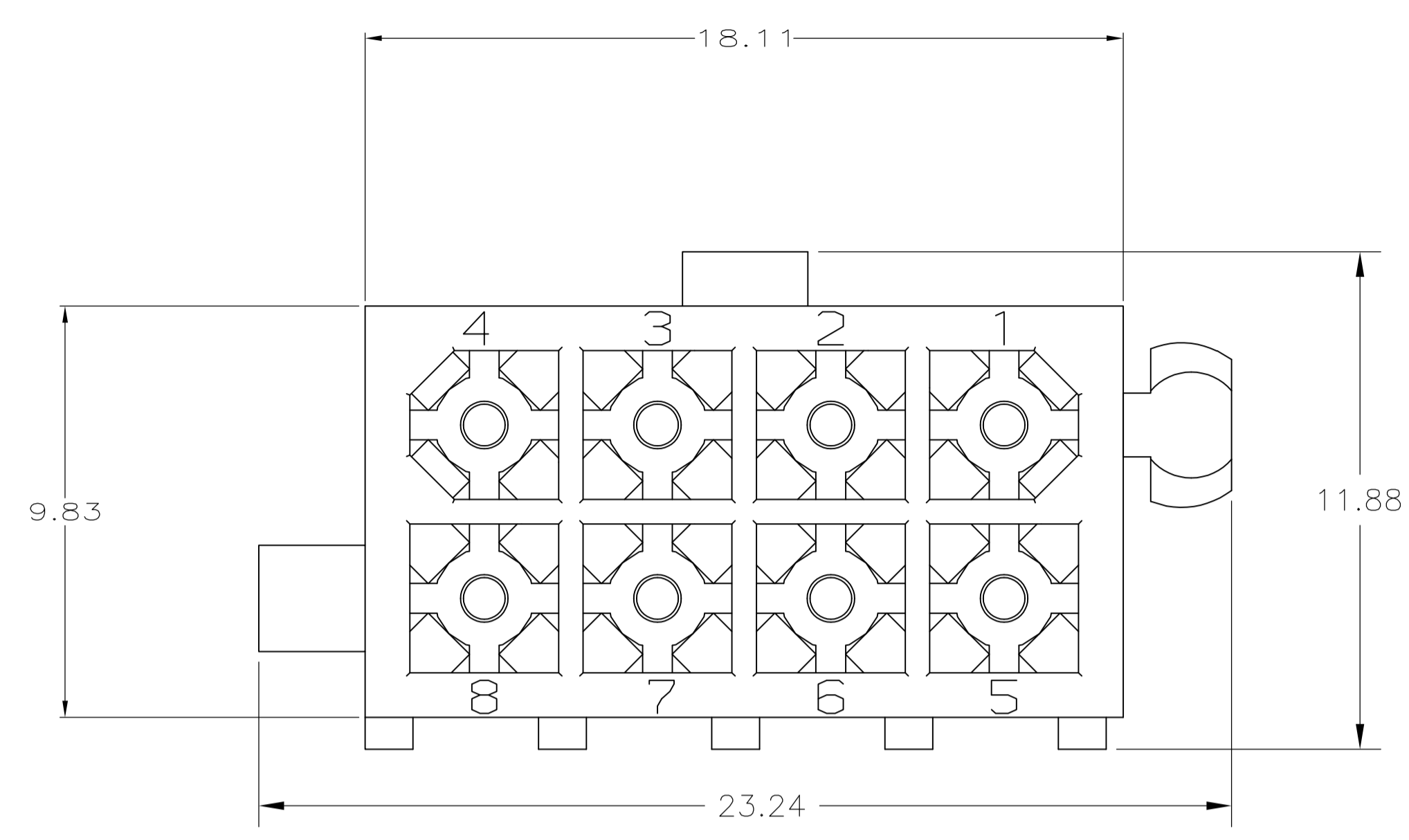


LOC		DIST		REVISIONS			
P	LTR	DESCRIPTION	DATE	DMN	APVD		
E		REVISED PER ECR-15-010337	23JUL2015	RK	SC		



RECOMMENDED MOUNTING HOLE PATTERN FOR 1.57 THICK P.C. BOARD

- PINS TO COMPLY WITH AMP SOLDERABILITY SPEC. 109-11-3.
- 0.00381 MIN MATTE TIN LEAD PLATE OVER 0.00127 MIN NICKEL.
- 0.00076 MIN GOLD PLATE IN THE LOCALIZED PLATE AREA, 0.00381 MATTE TIN LEAD IN THE LOCALIZED PLATE AREA, BOTH OVER 0.00127 MIN NICKEL.
- 0.00381 MIN MATTE TIN PLATE OVER 0.00127 MIN NICKEL.
- 0.00076 MIN GOLD PLATE IN THE LOCALIZED PLATE AREA, 0.00381 MATTE TIN IN THE LOCALIZED PLATE AREA, BOTH OVER 0.00127 MIN NICKEL.

MATERIAL	FINISH	MATERIAL	COLOR	PART NO.
BRASS, TIN	4	HIGH TEMP NYLON, UL94V-2	BLACK	6-794065-0
BRASS, TIN	4	HIGH TEMP NYLON, UL94V-0	BLACK	5-794065-0
BRASS, GOLD	5	NYLON, UL94V-0	WHITE	1-794065-1
BRASS, TIN	4	NYLON, UL94V-0	WHITE	1-794065-0
BRASS, GOLD	3	NYLON, UL94V-0	WHITE	794065-2
BRASS, TIN-LEAD	2	NYLON, UL94V-0	WHITE	794065-1

THIS DRAWING IS A CONTROLLED DOCUMENT.

DIMENSIONS: mm	TOLERANCES UNLESS OTHERWISE SPECIFIED:	DRAWING NO. A100779C=794065	REVISIONS
0 PLC ± -	1 PLC ± -	28JUL2003	1
2 PLC ± 0.13	3 PLC ± -	28JUL2003	2
4 PLC ± -	ANGLES ± -		

STE TE Connectivity

NAME: R JONES
 PRODUCT SPEC: PRODUCT SPEC
 APPLICATION SPEC: APPLICATION SPEC
 WEIGHT: -
 CUSTOMER DRAWING

SCALE: 8:1 SHEET: 1 OF 1 REV: E

Mouser Electronics

Authorized Distributor

Click to View Pricing, Inventory, Delivery & Lifecycle Information:

[TE Connectivity:](#)

[1-794065-1](#)