

BUY NOW 

1310/1550 Single Stage Polarization Maintaining Optical Isolator

Product Description

1310/1550 polarization maintaining single stage optical isolator is a passive device that maintaining polarization while guiding light at 1310/1550 nm in the normal direction, and minimizing back reflection and back scattering in the reverse direction for any state of polarization. Employing Agiltron's proven advanced micro optics design, it features low insertion loss, high power handling, extremely high isolation, high extinction ratio, compact package and high stability. These Telcordia qualified components have excellent cha ideal choice for application in fiber amplifier systems, optical fiber sensors and instrumentation.



Features

- Low Insertion Loss
- High Extinction Ratio
- High Isolation
- Compact Package
- High Reliability & Stability
- Cost Effective

Performance Specifications

| OIPM Single Stage | | Specification | Unit |
|--|--------|---------------|------|
| Operation Wavelength (λ_o) | 1310 | 1310 \pm 15 | nm |
| | S Band | 1465 ~ 1495 | |
| | C Band | 1535 ~ 1565 | |
| | L Band | 1570 ~ 1605 | |
| Typical Insertion Loss (Over λ_o , 0-70°C, no connector) | | \leq 0.5 | dB |
| Maximum Insertion Loss (Over λ_o , 0-70°C, no connector) | | \leq 0.65 | dB |
| Minimum Extinction Ratio (Over λ_o , 0-70°C, no connector) | | \geq 20 | dB |
| Typical Extinction Ratio (λ_c , 23°C, no connector) | | \geq 25 | dB |
| Minimum Channel Isolation (Over λ_o , 0-70°C) | | \geq 32 | dB |
| Typical Channel Isolation (λ_c , 23°C) | | \geq 42 | dB |
| Minimum Return Loss (Input/Output, no connector) | | \geq 50 | dB |
| Polarization Alignment | | Slow Axis | |
| Operating Temperature | | 0 ~ +70 | °C |
| Storage Temperature | | -40 ~ +85 | °C |
| Optical Power Handling | | \leq 500 | mW |
| Package Dimensions | | 5.5 x 35 | mm |

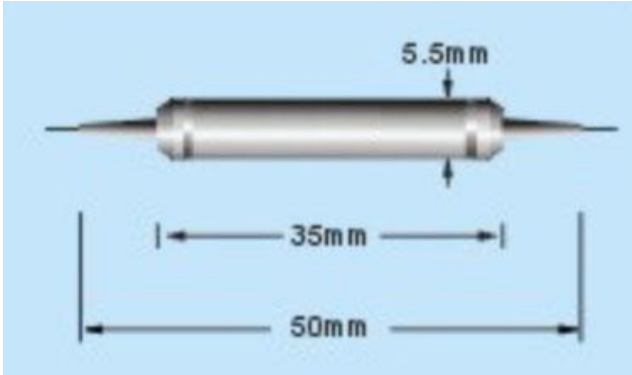
Applications

- Optical Fiber Amplifier
- Metropolitan Area Network
- Fiber Optic Sensor
- Instrumentation

15 Presidential Way , Woburn, MA 01801 Tel: (781) 935-1200 Fax: (781) 935-2040

www.agiltron.com

1310/1550 Single Stage Polarization Maintaining Optical Isolator



*Product dimensions may change without notice. This is sometimes required for non-standard specifications.

Ordering Information

| OIPM- | 10 | <input type="checkbox"/> | <input type="checkbox"/> | <input type="checkbox"/> | <input type="checkbox"/> | <input type="checkbox"/> | <input type="checkbox"/> | <input type="checkbox"/> |
|--------------|--|---|--------------------------|--------------------------|---|---|--|--|
| | Type | Wavelength | Grade | Package | Fiber Type | Fiber Length | Connector | |
| | 10=Polarization maintaining single stage | 3=1310 C=C Band L=L Band S=S Band 0=Special | 1=Standard 0=Special | 1=∅5.5x35 0=Special | A=Panda 400µm B=Panda 250µm 0=Special | 1=Bare Fiber 3=900µm Loose Tube 0=Special | 1=0.25m 2=0.5m 3=1.0m 0=Special | 1=None 2=FC/PC 3=FC/APC 4=SC/PC 5=SC/APC 6=ST/PC 7=LC 0=Special |