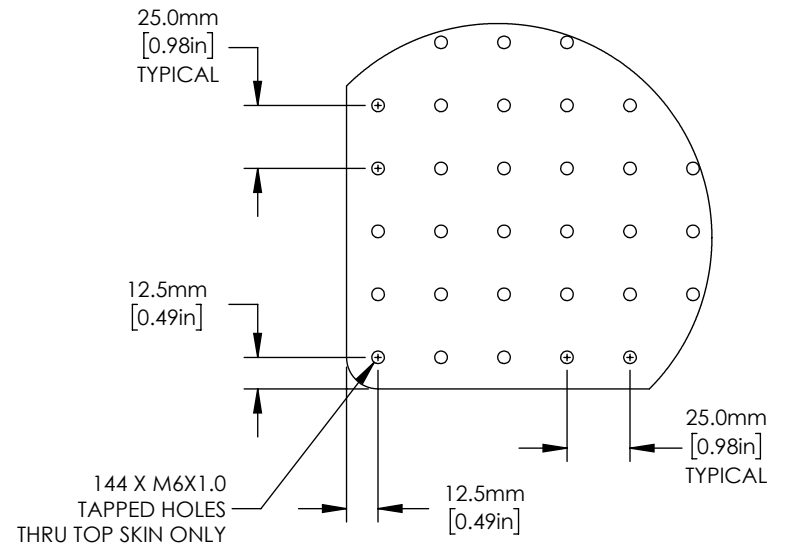


FOR INFORMATION ONLY  
NOT FOR MANUFACTURING PURPOSES



DETAIL A

DRAWING PROJECTION			<b>THORLABS</b> www.thorlabs.com	
NAME	DATE	NEXUS BREADBOARD		
DRAWN	26/APR/13	MATERIAL		REV
APPROVAL	MR	N/A		C
COPYRIGHT © 2020 BY THORLABS		ITEM #	APPROX WEIGHT	
VALUES IN PARENTHESIS ARE CALCULATED AND MAY CONTAIN ROUND OFF ERRORS		B3030A	10 kg	