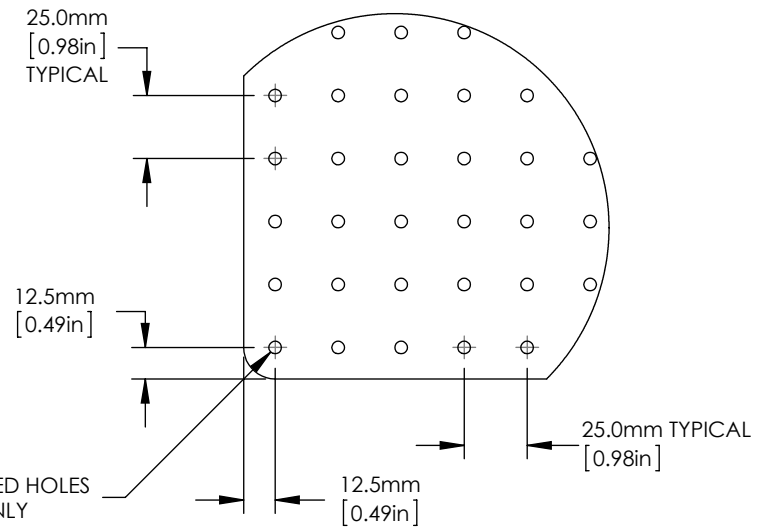


FOR INFORMATION ONLY  
NOT FOR MANUFACTURING PURPOSES



DETAIL A

DRAWING PROJECTION			<b>THORLABS</b> www.thorlabs.com	
NAME	DATE	NEXUS BREADBOARD		
DRAWN	CJL	19/MAY/15	MATERIAL	N/A
APPROVAL	DC	19/MAY/15	ITEM #	B4545A
COPYRIGHT © 2015 BY THORLABS			APPROX WEIGHT	21.3 kg
VALUES IN PARENTHESIS ARE CALCULATED AND MAY CONTAIN ROUND OFF ERRORS			REV	A