

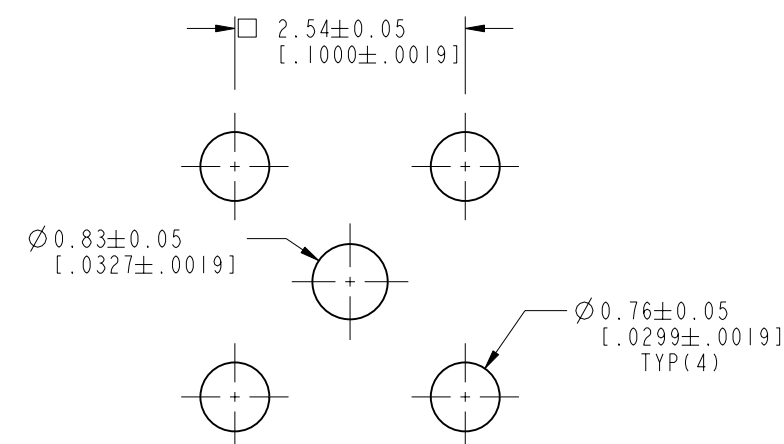
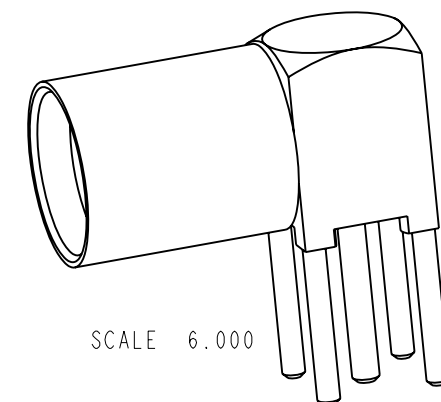
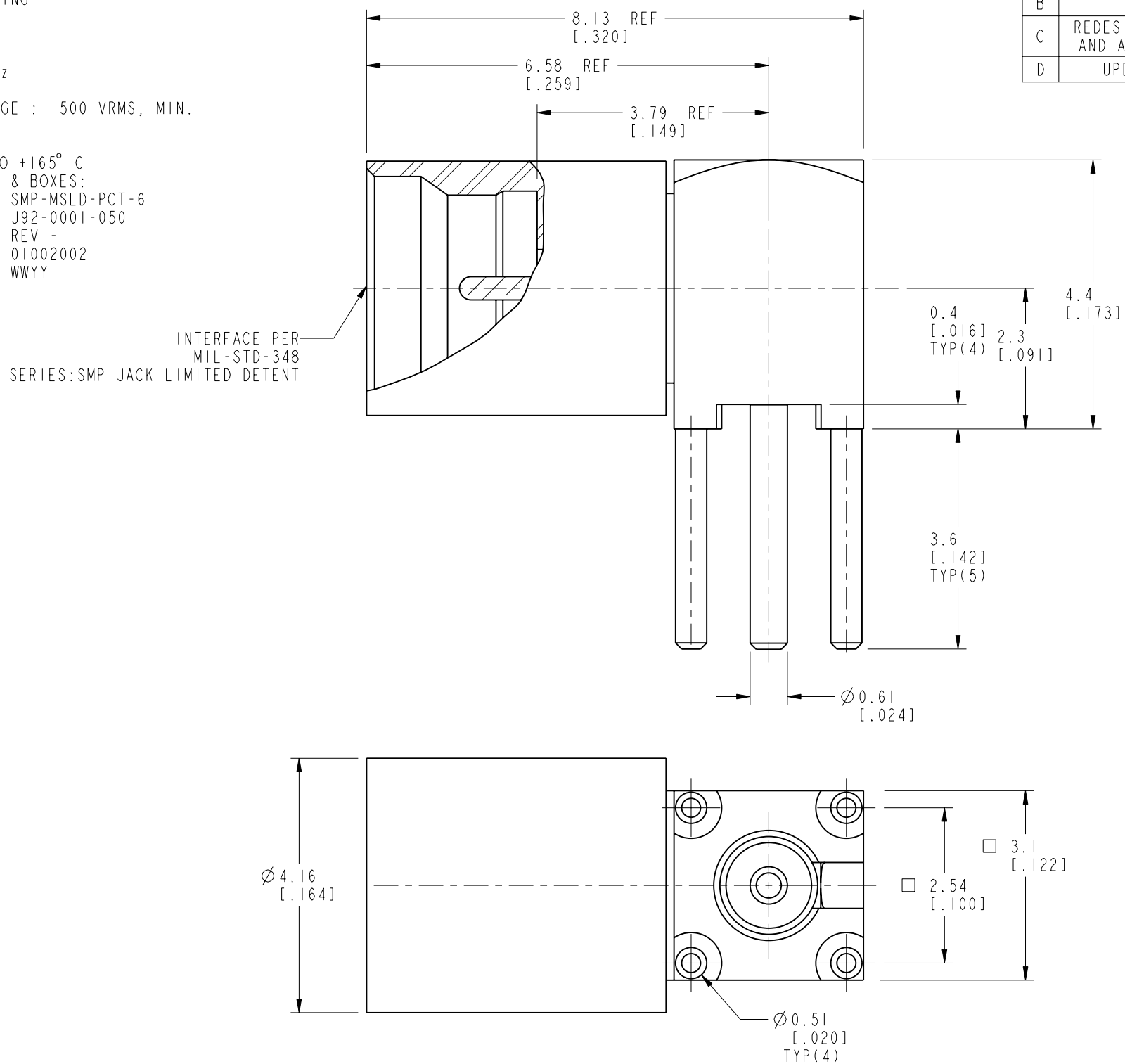
NOTES:

1. MATERIALS AND FINISHES:
  - BODY - STAINLESS STEEL, PASSIVATED
  - HOUSING - BRASS, GOLD PLATING
  - CONTACT - BeCu, GOLD PLATING
  - INSULATOR - PTFE
2. ELECTRICAL:
  - A. IMPEDANCE : 50 OHM
  - B. FREQUENCY RANGE : DC - 12 GHz
  - C. VSWR : 1.25 MAX.
  - D. DIELECTRIC WITHSTANDING VOLTAGE : 500 VRMS, MIN.
3. MECHANICAL:
  - A. DURABILITY : 500 CYCLES MIN.
  - B. TEMPERATURE RANGE : -65° C TO +165° C
4. PACKAGING: SINGLE PACK, LABEL BAG & BOXES:
  - AMPHENOL RF P/N: SMP-MSLD-PCT-6
  - HARRIS P/N: J92-0001-050
  - HARRIS B.O.M. REV.: REV -
  - SUPPLIER CODE: 01002002
  - DATE CODE: WWYY

THIRD ANGLE PROJ.

REVISIONS

REV	DESCRIPTION	DATE	ECO	APPR
A	RELEASE TO MFG.	05-Nov-10'	--	BZ
B	SYNC ARFA AND DANBURY DRAWING	08-Jun-11'	48632	SCOTT
C	REDESIGN TO PREVENT RING BURR AND INTERNAL CHIPS AND ADDED CHAMFER ON HOUSING / RD-DMI3011501J6	11-Dec-12	49029	MJN
D	UPDATED NOTE 4: PACKAGING\RD-DMI3112001R3	03-Dec-13	49440	MJD



**CUSTOMER OUTLINE DRAWING**

ALL OTHER SHEETS ARE FOR INTERNAL USE ONLY

UNLESS OTHERWISE SPECIFIED, DIMENSIONS ARE IN METRIC AND TOLERANCES ARE: <0.5mm ±0.05mm    0.5 - 6mm ±0.1mm    6 - 30mm ±0.2mm    30 - 120mm ±0.3mm    ANGLES ±1°	MATERIAL	DRAWN R. MAO	DATE 28-Nov-13	TITLE SMP JACK R/A LIMITED DETENT PCB MOUNT	Amphenol RF Danbury CT USA, Tainan, Taiwan, Shenzhen, China www.amphenolrf.com
	NOTICE - These drawings, specifications, or other data (1) are, and remain the property of Amphenol corp. (2) must be returned upon request; and (3) are confidential and not to be disclosed to any person other than those to whom they are given by Amphenol Corp. the furnishing of these drawings, specifications, or other data by Amphenol Corp., or to any other person to anyone for any purpose is not to be regarded by implication or otherwise in any manner licensing, granting rights to permitting such holder or any other person to manufacture, use or sell any product, process or design, patented or otherwise, that may in any way be related to or disclosed by said drawings, specifications, or other data.	REFERENCE EAR # 3786	ENGINEER A ARUN PRABU		
	FINISH	APPROVED S. HSIEH	DATE 03-Dec-13	SCALE: 11.5:1.0   SHEET 2 OF 2	ITEM NO. SMP-MSLD-PCT-6
		CAD FILE		DWG SIZE B	REV D
					PART NO. SMP-MSLD-PCT-6

# Mouser Electronics

Authorized Distributor

Click to View Pricing, Inventory, Delivery & Lifecycle Information:

[Amphenol:](#)

[SMP-MSLD-PCT-6](#)