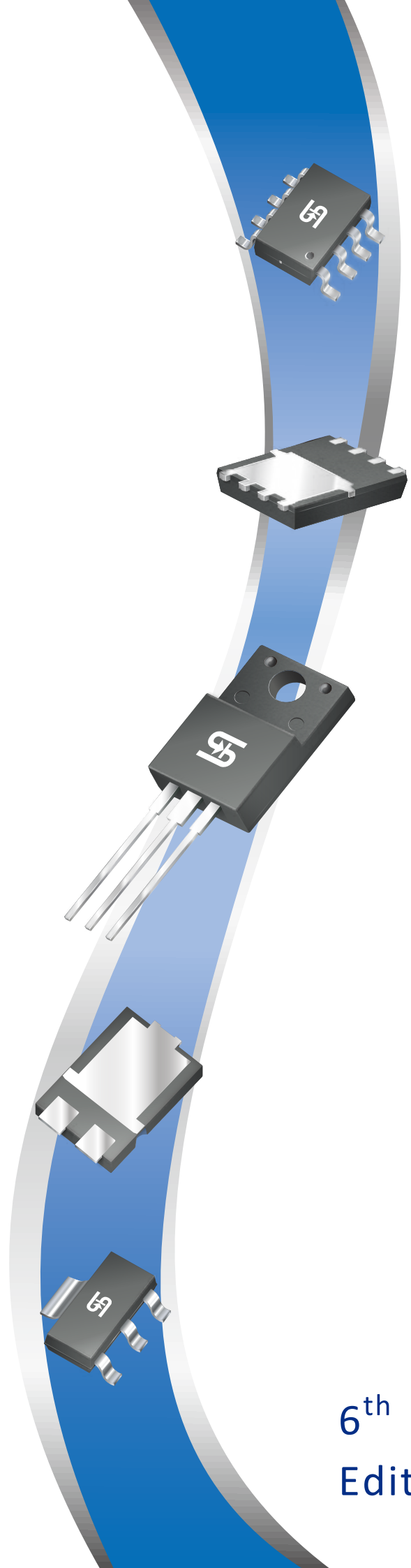




TAIWAN
SEMICONDUCTOR

PRODUCT SELECTOR GUIDE

www.taiwansemi.com



6th
Edition

BRIDGE RECTIFIERS

STANDARD.....	4-5
FAST ($t_{rr} = 150...500ns$)	5
HIGH EFFICIENT ($t_{rr} = 50...75ns$).....	6
SUPER FAST ($t_{rr} = 35ns$).....	6
SCHOTTKY	7
THREE PHASE	7

DIODES

STANDARD.....	8
FAST ($t_{rr} = 120...500ns$)	9
HIGH EFFICIENT ($t_{rr} = 50...80ns$).....	10-11
SUPER FAST ($t_{rr} = 35...40ns$).....	11-12
ULTRA FAST ($t_{rr} = 15...30ns$)	13
SCHOTTKY	14-17
TRENCH SCHOTTKY.....	18-19
ESD CAPABILITY	19
SWITCHING - SMALL SIGNAL (150...500mW).....	20
TVS	21-22
ZENER.....	23-24

ESD

ESD PROTECTION	25
----------------------	----

DIACS

DIAC 25

MOSFETS

MOSFET - DUAL AND COMPLEMENTARY 26-27

MOSFET - SINGLE P CHANNEL 26-29

MOSFET - SINGLE N CHANNEL 28-39

PHOTOCOUPERS

PHOTOCOUPLER 40

TRANSISTORS

BIPOLAR TRANSISTOR - NPN 41-42

BIPOLAR TRANSISTOR - PNP 43

DIGITAL TRANSISTOR - COMPLEX 43

THYRISTORS

THYRISTOR 44

AMPLIFIERS & COMPARATORS

AMPLIFIER & COMPARATOR 44

ANALOG ICS

ANALOG IC - RESET IC 45

ANALOG IC - AMP AND VREF 45

HALL EFFECT SENSORS

HALL EFFECT SENSOR 46

LED DRIVERS

LED DRIVER 47

LINEAR VOLTAGE REGULATORS

LINEAR VOLTAGE REGULATOR 48-50

SWITCHING REGULATORS

SWITCHING REGULATOR 50

VOLTAGE REFERENCES

VOLTAGE REFERENCE 51

BRIDGES - STANDARD

BRIDGES - STANDARD

(T_A=25°C unless otherwise noted)

★=AEC-Q101 qualified

Part Number	I _{F(AV)} (A)	V _{RRM} (V)	I _{FSM} (A)	V _F (V)	I _R (μA)	T _J Max. (°C)	Package Description
MBS2~MBS10 ★	0.8	200-1,000	35	1	5	150	MBS
MBS6-K~MBS10-K	0.8	600-1,000	35	1	5	150	MBS
ABS2~ABS10 ★	1	200-1,000	30	0.95	10	150	ABS
ABS4-K~ABS10-K	1	400-1,000	30	0.95	10	150	ABS
DBL104G-T~DBL107G-T	1	400-1,000	30-40	1.1	2	150	DBL
DBLS104G-T~DBLS107G-T	1	400-1,000	30-40	1.1	2	150	DBLS
DBL101G~DBL107G ★	1	50-1,000	30-40	1.1	2	150	DBL
DBLS101G~DBLS107G ★	1	50-1,000	30-40	1.1	2	150	DBLS
ABS6-T~ABS10-T	1	600-1,000	30	0.95	10	150	ABS
ABS15LJ	1.5	600	60	0.95	5	150	ABS
DBLS154G-T~DBLS157G-T	1.5	400-1,000	50	1.1	2	150	DBLS
DBL154G-T~DBL157G-T	1.5	400-1,000	50	1.1	2	150	DBL
DBL151G~DBL159G ★	1.5	50-1,400	50	1.1-1.25	2	150	DBL
DBLS151G~DBLS159G ★	1.5	50-1,400	50	1.1-1.25	2	150	DBLS
ABS15J~ABS15M ★	1.5	600-1,000	40	0.97-1	5	150	ABS
ABS20M	2	1,000	50	0.92	5	150	ABS
ABS20M-T	2	1,000	50	0.92	5	150	ABS
DBLS204G-T~DBLS207G-T	2	400-1,000	50	1.15	2	150	DBLS
DBL204G-T~DBL207G-T	2	400-1,000	50	1.15	2	150	DBL
KBPF204G~KBPF207G	2	400-1,000	60	1.1	5	150	KBPF
GBL201~GBL207 ★	2	50-1,000	60	1	5	150	GBL
DBL201G~DBL209G ★	2	50-1,400	50	1.15-1.3	2	150	DBL
DBLS201G~DBLS209G ★	2	50-1,400	50	1.15-1.3	2	150	DBLS
D2SB05~D2SB80 ★	2	50-800	80	1.1	10	150	GBL
UR2KB60~UR2KB100	2	600-1,000	62	1.05	10	150	D3K
YBS2204G~YBS2207G	2.2	400-1,000	90	0.86	5	150	YBS
KBPF304G~KBPF307G	3	400-1,000	80	1.1	5	150	KBPF
YBS3004G~YBS3007G	3	400-1,000	110	0.89	5	150	YBS
UR3KB60~UR3KB100	3	600-1,000	90	1	10	150	D3K
KBPF404G~KBPF407G	4	400-1,000	120	1.1	5	150	KBPF
GBU404-K~GBU407-K	4	400-1,000	150	1.1	5	150	GBU
TS4K40~TS4K80 ★	4	400-800	120	1	10	150	TS4K
GBLA005~GBLA10 ★	4	50-1,000	120	1	5	150	GBL
GBL005~GBL10 ★	4	50-1,000	150	1	5	150	GBL
GBU401~GBU407 ★	4	50-1,000	150	1	5	150	GBU
UR4KB60~UR4KB100	4	600-1,000	135	1	10	150	D3K
UR4KB60-B~UR4KB100-B	4	600-1,000	135	1	10	150	D3K
GBU604-K~GBU607-K	6	400-1,000	175	1.1	5	150	GBU
TS6K40~TS6K80 ★	6	400-800	150	1	5	150	TS4K
TS6P01G~TS6P07G ★	6	50-1,000	150	1.1	10	150	TS6P
GBU601~GBU607 ★	6	50-1,000	175	1	5	150	GBU
TS6KL60~TS6KL100 ★	6	600-1,000	150	1.05	5	150	KBIL
GBU804-K~GBU807-K	8	400-1,000	200	1.1	5	150	GBU
GBU801~GBU807 ★	8	50-1,000	200	1	5	150	GBU
TS8P01G~TS8P07G ★	8	50-1,000	200	1.1	10	150	TS6P
UR8KB60~UR8KB100	8	600-1,000	170	1	10	150	D3K

Part Number	I _{F(AV)} (A)	V _{RRM} (V)	I _{FSM} (A)	V _F (V)	I _R (μA)	T _J Max. (°C)	Package Description
TS10K40~TS10K80 ★	10	400-800	150	1	10	150	TS4K
TS10P01G~TS10P07G ★	10	50-1,000	200	1.1	10	150	TS6P
GBU1001~GBU1007 ★	10	50-1,000	220	1.1	5	150	GBU
TS10KL60~TS10KL100 ★	10	600-1,000	180	1	5	150	KBIL
TS15P04G-K~TS15P07G-K	15	400-1,000	240	1.1	10	150	TS6P
TS15P01G~TS15P07G ★	15	50-1,000	240	1.1	10	150	TS6P
GBPC15005~GBPC1510	15	50-1,000	300	1.1	5	150	GBPC
GBPC15005M~GBPC1510M	15	50-1,000	300	1.1	5	150	GBPC-M
GBPC15005W~GBPC1510W	15	50-1,000	300	1.1	5	150	GBPC-W
GBU15L05~GBU15L06 ★	15	600-800	200	0.87-0.93	5	150	GBU
TS15PL05G~TS15PL06G ★	15	600-800	200	0.9-0.93	5	150	TS6P
TS20P01G~TS20P07G ★	20	50-1,000	250	1.1	10	150	TS6P
GBU2504~GBU2507	25	400-1,000	300	1.1	10	150	GBU
TS25P04G-K~TS25P07G-K	25	400-1,000	350	1.1	10	150	TS6P
GBPC25005~GBPC2510	25	50-1,000	300	1.1	5	150	GBPC
GBPC25005M~GBPC2510M	25	50-1,000	300	1.1	5	150	GBPC-M
GBPC25005W~GBPC2510W	25	50-1,000	300	1.1	5	150	GBPC-W
TS25P01G~TS25P07G ★	25	50-1,000	350	1.1	10	150	TS6P
TS25PL05G~TS25PL06G ★	25	600-800	300	0.87-0.92	10	150	TS6P
GBPC35005~GBPC3510	35	50-1,000	400	1.1	5	150	GBPC
GBPC35005M~GBPC3510M	35	50-1,000	400	1.1	5	150	GBPC-M
GBPC35005W~GBPC3510W	35	50-1,000	400	1.1	5	150	GBPC-W
TS35P05G~TS35P07G ★	35	600-1,000	350	1.1	10	150	TS6P
GBPC40005~GBPC4010	40	50-1,000	400	1.1	10	150	GBPC40
GBPC40005M~GBPC4010M	40	50-1,000	400	1.1	10	150	GBPC40-M
TS40P05G~TS40P07G ★	40	600-1,000	400	1.1	10	150	TS6P
GBPC50005~GBPC5010	50	50-1,000	400	1.1	10	150	GBPC40
GBPC50005M~GBPC5010M	50	50-1,000	400	1.1	10	150	GBPC40-M
TS50P05G~TS50P07G ★	50	600-1,000	400	1.1	10	150	TS6P

BRIDGES - FAST (t_{rr} = 150...500ns)

(T_A=25°C unless otherwise noted)

★=AEC-Q101 qualified

Part Number	t _{rr} (ns)	I _{F(AV)} (A)	V _{RRM} (V)	I _{FSM} (A)	V _F (V)	I _R (μA)	T _J Max. (°C)	Package Description
RMB2S~RMB6S ★	150	0.8	200-600	30	1	5	150	MBS
RABF20M	160	2	1,000	60	1.3	5	150	ABF
RDBLS207G ★	300	2	1,000	50	1.15	2	150	DBLS
RABS15M ★	500	1.5	1,000	50	1.3	1	150	ABS-L
RABF15M	500	1.5	1,000	50	1.1	5	150	ABF



BRIDGES - HIGH EFFICIENT ($t_{rr} = 50...75ns$)

($T_A=25^\circ C$ unless otherwise noted)

★=AEC-Q101 qualified

Part Number	t_{rr}	$I_{F(AV)}$	V_{RRM}	I_{FSM}	V_F	I_R	T_J Max.	Package Description
	(ns)	(A)	(V)	(A)	(V)	(μA)	($^\circ C$)	
TSS4B04G ★	50	4	400	150	1.3	5	150	TS4B
HDBL101G~HDBL107G ★	50-75	1	50-1,000	50	1-1.7	5	150	DBL
HDBLS101G~HDBLS107G ★	50-75	1	50-1,000	50	1-1.7	5	150	DBLS

BRIDGES - SCHOTTKY

($T_A=25^\circ C$ unless otherwise noted)

★=AEC-Q101 qualified

Part Number	$I_{F(AV)}$	V_{RRM}	I_{FSM}	V_F	I_R	T_J Max.	Package Description
	(A)	(V)	(A)	(V)	(μA)	($^\circ C$)	
SBS24~SBS26 ★	2	40-60	50	0.5-0.7	50-100	150	ABS
SBS34~SBS36 ★	3	40-60	80	0.5-0.7	500	125-150	ABS

BRIDGES - SUPER FAST ($t_{rr} = 35ns$)

($T_A=25^\circ C$ unless otherwise noted)

★=AEC-Q101 qualified

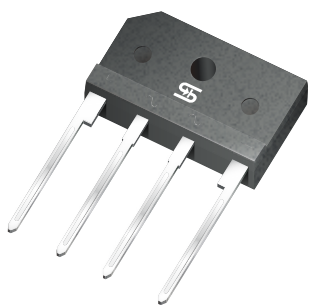
Part Number	t_{rr}	$I_{F(AV)}$	V_{RRM}	I_{FSM}	V_F	I_R	T_J Max.	Package Description
	(ns)	(A)	(V)	(A)	(V)	(μA)	($^\circ C$)	
EABS1D~EABS1J ★	35	1	200-600	40	0.95-1.7	1	150	ABS
TSS4B01G~TSS4B03G ★	35	4	50-200	150	0.98	5	150	TS4B

BRIDGES - THREE PHASE

($T_A=25^\circ C$ unless otherwise noted)

Part Number	$I_{F(AV)}$	V_{RRM}	I_{FSM}	V_F	I_R	T_J Max.	Package Description
	(A)	(V)	(A)	(V)	(μA)	($^\circ C$)	
3PGBPC2506~3PGBPC2516	25	600-1,600	400	1.15	10	150	GBPC-MT
3PGBPC3506~3PGBPC3516	35	600-1,600	500	1.2	10	150	GBPC-MT
3PGBPC4506~3PGBPC4516	45	600-1,600	500	1.27	10	150	GBPC-MT

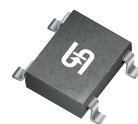
TS4B



DBL



DBLS



GBPC-MT



ABS



DIODES - STANDARD

DIODES - FAST ($t_{rr} = 120...500ns$)

($T_A=25^\circ\text{C}$ unless otherwise noted)

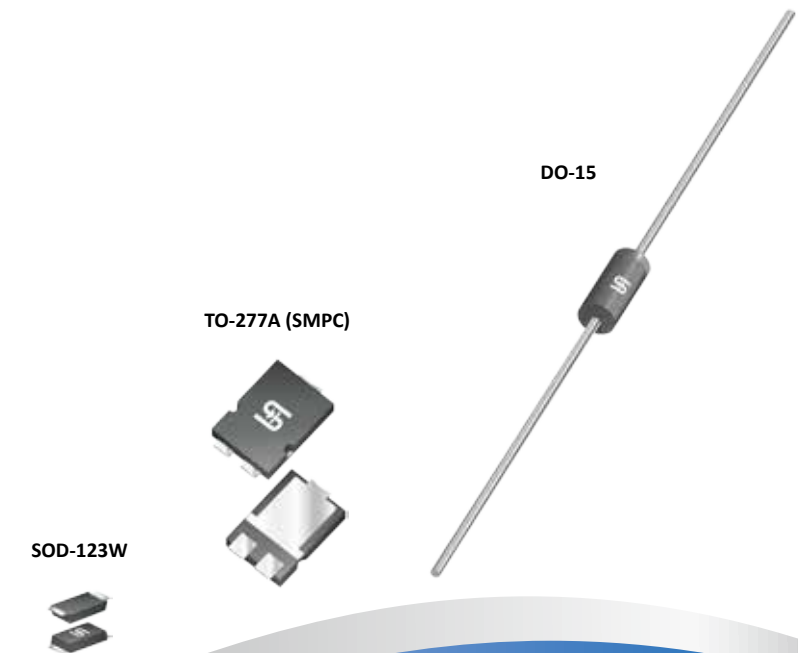
★=AEC-Q101 qualified

Part Number	$I_{F(AV)}$	V_{RRM}	I_{FSM}	V_F	I_R	T_J Max.	Package Description
	(A)	(V)	(A)	(V)	(μA)	($^\circ\text{C}$)	
S1D-K~S1M-K	1	200-1,000	30	1.1	1	175	DO-214AC (SMA)
S1DLW~S1MLW ★	1	200-1,000	30	1.1	1	175	SOD-123W
S1D-T~S1M-T	1	200-1,000	30-40	1.1	1	175	DO-214AC (SMA)
S1GFL~S1MFL	1	400-1,000	30	1.1	1	150	SOD-123FL
S1GM~S1JM ★	1	400-600	20	1.1	1	175	Micro SMA
2CZ4004~2CZ4006	1	400-800	7.5	1.1	5	150	SOD-123
1N4001~1N4007	1	50-1,000	30	1	5	150	DO-41
1N4001G~1N4007G ★	1	50-1,000	30	1	5	150	DO-41
1N4001S~1N4007S	1	50-1,000	30	1	5	150	A-405
1T1G~1T7G ★	1	50-1,000	30	1-1.1	5	150	TS-1
LL4001G~LL4007G	1	50-1,000	30	1.1	5	150	MELF (Plastic)
S1AB~S1MB ★	1	50-1,000	30	1.1	5	150	DO-214AA (SMB)
S1AL~S1ML ★	1	50-1,000	30	1.1	5	175	SUB SMA
S1A~S1M ★	1	50-1,000	40	1.1	1	175	DO-214AC (SMA)
S1JF~S1MF	1	600-1,000	30	1.1	5	150	SMAF
S1JLS~S1MLS ★	1.2	600-1,000	50	1.3	5	150	SOD-123HE
S15DLW~S15MLW ★	1.5	200-1,000	50	0.94	1	175	SOD-123W
1N5391~1N5399	1.5	50-1,000	50	1-1.1	5	150	DO-15
1N5391G~1N5399G ★	1.5	50-1,000	50	1-1.1	5	150	DO-15
1N5391S~1N5399S	1.5	50-1,000	50	1-1.1	5	150	DO-41
S2AA~S2MA ★	1.5	50-1,000	50	1.1	5	150	DO-214AC (SMA)
2A01G~2A07G ★	2	50-1,000	55	1-1.1	5	150	DO-15
2A01~2A07	2	50-1,000	60	1	5	150	DO-15
S2A~S2V ★	2	50-1,400	50	1.15	1	150	DO-214AA (SMB)
S2JF~S2MF	2	600-1,000	50	1.1	5	150	SMAF
BY251~BY254	3	200-800	150	1	5	150	DO-201AD
S3AB~S3MB ★	3	50-1,000	80	1.15	10	150	DO-214AA (SMB)
S3A~S3M ★	3	50-1,000	100	1.15	10	150	DO-214AB (SMC)
1N5400G~1N5408G ★	3	50-1,000	125	1-1.1	5	150	DO-201AD
1N5400~1N5408	3	50-1,000	200	1	5	150	DO-201AD
3A60~3A100 ★	3	600-1,000	120	1.1	5	150	DO-15
S4A~S4M ★	4	50-1,000	100	1.15	10	150	DO-214AB (SMC)
S5GB~S5MB ★	5	400-1,000	200	1.1	10	150	DO-214AA (SMB)
S5A~S5M ★	5	50-1,000	100	1.15	10	150	DO-214AB (SMC)
6A05G~6A100G ★	6	50-1,000	250	1-1.1	10	150	R-6
S8GC~S8MC ★	8	400-1,000	200	0.985	10	150	DO-214AB (SMC)
GPA801~GPA807 ★	8	50-1,000	150	1.1	5	150	TO-220AC
S10GC~S10MC ★	10	400-1,000	250	1.1	1	150	DO-214AB (SMC)
GP1001~GP1007 ★	10	50-1,000	125	1.1	5	150	TO-220AB
GPAS1001~GPAS1007	10	50-1,000	150	1.1	5	150	TO-263AB (D ² -PAK)
S12GC~S12MC ★	12	400-1,000	300	1.1	1	150	DO-214AB (SMC)
S15GC~S15MC ★	15	400-1,000	350	1.1	1	150	DO-214AB (SMC)
GP1601~GP1607 ★	16	50-1,000	150	1.1	10	150	TO-220AB
P2500M ★	25	1,000	650	0.87	5	175	P2500
P2500Y	25	1,600	500	1.1	10	150	P2500

($T_A=25^\circ\text{C}$ unless otherwise noted)

★=AEC-Q101 qualified

Part Number	t_{rr}	$I_{F(AV)}$	V_{RRM}	I_{FSM}	V_F	I_R	T_J Max.	Package Description
	(ns)	(A)	(V)	(A)	(V)	(μA)	($^\circ\text{C}$)	
BYG21M ★	120	1.5	1,000	50	1.5	1	150	DO-214AC (SMA)
TPAR3D~TPAR3J	120	3	200-600	60	1.2	0.3	175	TO-277A (SMPC)
RS3MAF	160	3	1,000	90	1.3	5	150	SMAF
RS3MAF-B	160	3	1,000	90	1.3	5	150	SMAF
1N4933~1N4937	200	1	50-600	30	1.2	5	150	DO-41
1N4933G~1N4937G ★	200	1	50-600	30	1.2	5	150	DO-41
RS1JLS~RS1MLS ★	300	1.2	600-1,000	50	1.3	5	150	SOD-123HE
RS1DLW~RS1MLW ★	150-250	1	200-1,000	30	1.3	5	175	SOD-123W
BA157~BA159	150-250	1	400-1,000	30	1.2	5	150	DO-41
BA157G~BA159G ★	150-250	1	400-1,000	30	1.2	5	150	DO-41
RSFAL~RSFML ★	150-500	0.5	50-1,000	10	1.3	5	150	SUB SMA
RS1AL~RS1ML ★	150-500	0.8	50-1,000	30	1.3	5	150	SUB SMA
TSOD1F1HM~TSOD1F10HM	150-500	1	100-1,000	25	1.3	5	150	SOD-123FL
RS1D-T~RS1M-T	150-500	1	200-1,000	30	1.3	5	150	DO-214AC (SMA)
FR101G~FR107G ★	150-500	1	50-1,000	30	1.3	5	150	DO-41
FR101S~FR107S	150-500	1	50-1,000	30	1.2	5	150	A-405
RS1A~RS1M ★	150-500	1	50-1,000	30	1.3	5	150	DO-214AC (SMA)
F1T1G~F1T7G ★	150-500	1	50-1,000	30	1.3	5	150	TS-1
FR101~FR107	150-500	1	50-1,000	30	1.2	5	150	DO-41
FR151~FR157	150-500	1.5	50-1,000	50	1.2	5	150	DO-15
FR151G~FR157G ★	150-500	1.5	50-1,000	50	1.3	5	150	DO-15
FR151S~FR157S	150-500	1.5	50-1,000	50	1.2	5	150	DO-41
RS2AA~RS2MA ★	150-500	1.5	50-1,000	50	1.3	5	150	DO-214AC (SMA)
RS2A~RS2M ★	150-500	2	50-1,000	50	1.3	5	150	DO-214AA (SMB)
FR201G~FR207G ★	150-500	2	50-1,000	55	1.3	5	150	DO-15
FR201~FR207	150-500	2	50-1,000	60	1.2	5	150	DO-15
RS3A~RS3M ★	150-500	3	50-1,000	100	1.3	10	150	DO-214AB (SMC)
FR301G~FR307G ★	150-500	3	50-1,000	125	1.3	5	150	DO-201AD
FR301~FR307	150-500	3	50-1,000	150	1.2	5	150	DO-201AD
RS1JF~RS1MF	250-500	1	600-1,000	30	1.3	5	150	SMAF
RS1JM~RS1KM	250-500	1	600-800	20	1.3	5	150	Micro SMA



DIODES - HIGH EFFICIENT ($t_{rr} = 50...80ns$)

DIODES - HIGH EFFICIENT ($t_{rr} = 50...80ns$)

($T_A=25^\circ C$ unless otherwise noted)

★=AEC-Q101 qualified

Part Number	t_{rr}	$I_{F(AV)}$	V_{RRM}	I_{FSM}	V_F	I_R	T_J Max.	Package Description
	(ns)	(A)	(V)	(A)	(V)	(μA)	($^\circ C$)	
HT12	50	1	100	30	1	5	150	TS-1
MUR140S~MUR160S ★	50	1	400-600	35	1.25	5	175	DO-214AA (SMB)
MUR340S~MUR360S ★	50	3	400-600	75	1.25	5	175	DO-214AB (SMC)
MUR340SB~MUR360SB ★	50	3	400-600	75	1.25	10	175	DO-214AA (SMB)
MUR440S~MUR460S ★	50	4	400-600	75	1.25	10	175	DO-214AB (SMC)
MUR440~MUR460 ★	50	4	400-600	125	1.28	10	175	DO-201AD
MUR4L40~MUR4L60 ★	50	4	400-600	125	1.28	10	175	DO-201AD
MUR840~MUR860 ★	50	8	400-600	100	1.3-1.7	5	175	TO-220AC
MUR1640CT~MUR1660CT ★	50	16	400-600	100	1.3-1.5	10	175	TO-220AB
MURF1640CT~MURF1660CT ★	50	16	400-600	100	1.3-1.5	10	150	ITO-220AB
UGA15120 ★	58	15	1,200	200	2.9	1	175	TO-220AC
BYG23M ★	65	1.5	1,000	50	1.7	1	150	DO-214AC (SMA)
TPAU3D~TPAU3J	65	3	200-600	50	1.5	0.4	175	TO-277A (SMPC)
MUR8L60 ★	65	8	600	100	1.3	5	175	TO-220AC
MURF8L60 ★	65	8	600	100	1.3	5	175	ITO-220AC
MURF10L60	65	10	600	100	1.3	5	150	ITO-220AC
BYG20D~BYG20J ★	75	1.5	200-600	30	1.3	1	150	DO-214AC (SMA)
HERF1007GA~HERF1008GA	80	10	800-1,000	125	1.7	10	150	ITO-220AB
HS1D-K~HS1M-K	50-75	1	200-1,000	30	1-1.7	5	150	DO-214AC (SMA)
HS1DLW~HS1MLW ★	50-75	1	200-1,000	30	1-1.7	1	175	SOD-123W
HS1AL~HS1ML ★	50-75	1	50-1,000	30	0.95-1.7	5	150	SUB SMA
HER101~HER108	50-75	1	50-1,000	30	1-1.7	5	150	DO-41
HER101G~HER108G ★	50-75	1	50-1,000	30	1-1.7	5	150	DO-41
HS1A~HS1M ★	50-75	1	50-1,000	30	1-1.7	5	150	DO-214AC (SMA)
HT11G~HT18G ★	50-75	1	50-1,000	30	1-1.7	5	150	TS-1
UF1A~UF1M ★	50-75	1	50-1,000	30	1-1.7	5	150	DO-41
UF4001~UF4007 ★	50-75	1	50-1,000	30	1-1.7	5	150	DO-41
US1A~US1M ★	50-75	1	50-1,000	30	1-1.7	5	150	DO-214AC (SMA)
MUR160~MUR190 ★	50-75	1	600-900	35	1.25-1.7	5	175	DO-15
MUR160A~MUR190A ★	50-75	1	600-900	35	1.25-1.7	5	175	DO-41
HER151~HER158	50-75	1.5	50-1,000	50	1-1.7	5	150	DO-15
HER151G~HER158G ★	50-75	1.5	50-1,000	50	1-1.7	5	150	DO-15
HS2AA~HS2MA ★	50-75	1.5	50-1,000	50	1-1.7	5	150	DO-214AC (SMA)
HS2A~HS2M ★	50-75	2	50-1,000	50	1-1.7	5	150	DO-214AA (SMB)
HER201G~HER208G ★	50-75	2	50-1,000	60	1-1.7	5	150	DO-15
HER201~HER207	50-75	2	50-800	60	1-1.7	5	150	DO-15
HS3AB~HS3MB ★	50-75	3	50-1,000	100	1-1.7	10	150	DO-214AA (SMB)
HER301G~HER308G ★	50-75	3	50-1,000	125	1-1.7	10	150	DO-201AD
HS3A~HS3M ★	50-75	3	50-1,000	150	1-1.7	10	150	DO-214AB (SMC)
HER301~HER307	50-75	3	50-800	150	1-1.7	10	150	DO-201AD
HS5A~HS5M ★	50-75	5	50-1,000	150	1-1.7	10	150	DO-214AB (SMC)
HER601G~HER606G ★	50-75	6	50-600	150	1-1.7	10	150	R-6
HERAF801G~HERAF808G ★	50-80	8	50-1,000	150	1-1.7	10	150	ITO-220AC
HERA801G~HERA808G ★	50-80	8	50-1,000	150	1-1.7	10	150	TO-220AC
HER1001G~HER1008G ★	50-80	10	50-1,000	125	1-1.7	10	150	TO-220AB
HERF1001G~HERF1008G ★	50-80	10	50-1,000	125	1-1.7	10	150	ITO-220AB

Part Number	t_{rr}	$I_{F(AV)}$	V_{RRM}	I_{FSM}	V_F	I_R	T_J Max.	Package Description
	(ns)	(A)	(V)	(A)	(V)	(μA)	($^\circ C$)	
HERAF1001G~HERAF1008G ★	50-80	10	50-1,000	150	1-1.7	10	150	ITO-220AC
HERF1601G~HERF1608G ★	50-80	16	50-1,000	125	1-1.7	10	150	ITO-220AB
HER1601G~HER1608G ★	50-80	16	50-1,000	125	1-1.7	10	150	TO-220AB
HER1601PT~HER1608PT ★	50-80	16	50-1,000	200	1-1.7	10	150	TO-247AD (TO-3P)
HERAF1601G~HERAF1606G ★	50-80	16	50-600	250	1-1.7	10	150	ITO-220AC
HER3001PT~HER3006PT ★	50-80	30	50-600	300	1-1.7	10	150	TO-247AD (TO-3P)

DIODES - SUPER FAST ($t_{rr} = 35...40ns$)

($T_A=25^\circ C$ unless otherwise noted)

★=AEC-Q101 qualified

Part Number	t_{rr}	$I_{F(AV)}$	V_{RRM}	I_{FSM}	V_F	I_R	T_J Max.	Package Description
	(ns)	(A)	(V)	(A)	(V)	(μA)	($^\circ C$)	
ES1D-T~ES1J-T	35	1	200-600	30	0.95-1.7	5	150	DO-214AC (SMA)
ES1LD~ES1LJ ★	35	1	200-600	30	0.95-1.7	5	150	DO-214AC (SMA)
ES1DF~ES1JF	35	1	200-600	30	1-1.7	5	150	SMAF
ES1DFL~ES1JFL	35	1	200-600	30	1-1.7	5	150	SOD-123FL
ES1DLW~ES1JLW ★	35	1	200-600	30	0.95-1.7	5	175	SOD-123W
ES1A~ES1J ★	35	1	50-600	30	0.95-1.7	5	150	DO-214AC (SMA)
ES1AL~ES1JL ★	35	1	50-600	30	0.95-1.7	5	150	SUB SMA
SF11~SF18	35	1	50-600	30	0.95-1.7	5	150	DO-41
SF11G~SF18G ★	35	1	50-600	30	0.95-1.7	5	150	DO-41
SFT11G~SFT18G ★	35	1	50-600	30	0.95-1.7	5	150	TS-1
SF2L4G~SF2L8G ★	35	2	200-600	50	0.95-1.7	1	150	DO-15
ES2D-T~ES2J-T	35	2	200-600	50	0.95-1.7	10	150	DO-214AA (SMB)
ES2LD~ES2LJ ★	35	2	200-600	50	0.95-1.7	10	150	DO-214AA (SMB)
ES2DF~ES2JF	35	2	200-600	50	1-1.7	10	150	SMBF
SF21~SF28	35	2	50-600	50	0.95-1.7	5	150	DO-15
SF21G~SF28G ★	35	2	50-600	50	0.95-1.7	5	150	DO-15
ES2A~ES2J ★	35	2	50-600	50	0.95-1.7	10	150	DO-214AA (SMB)
ES2AA~ES2JA ★	35	2	50-600	50	0.95-1.7	10	150	DO-214AC (SMA)
31DF4~31DF6	35	3	400-600	45	1.7	20	150	DO-201AD
ES3A~ES3J ★	35	3	50-600	100	0.95-1.7	10	150	DO-214AB (SMC)
SF31~SF38	35	3	50-600	125	0.95-1.7	5	125	DO-201AD
SF31G~SF38G ★	35	3	50-600	125	0.95-1.7	5	150	DO-201AD
SF41G~SF48G ★	35	4	50-600	125	1-1.7	5	150	DO-201AD
SFF501G~SFF508G ★	35	5	50-600	70	0.98-1.7	10	150	ITO-220AB
SFAF501G~SFAF508G ★	35	5	50-600	125	0.975-1.7	10	150	ITO-220AC
SF61G~SF68G ★	35	6	50-600	150	0.975-1.7	5	150	DO-201AD
UGA8120 ★	35	8	1,200	80	2.8	5	175	TO-220AC
SFA801G~SFA808G ★	35	8	50-600	125	0.95-1.7	10	150	TO-220AC
SFAF801G~SFAF808G ★	35	8	50-600	125	0.95-1.7	10	150	ITO-220AC
SFAS801G~SFAS808G ★	35	8	50-600	125	0.95-1.7	10	150	TO-263AB (D ² -Pak)

DIODES - SUPER FAST ($t_{rr} = 35...40ns$)

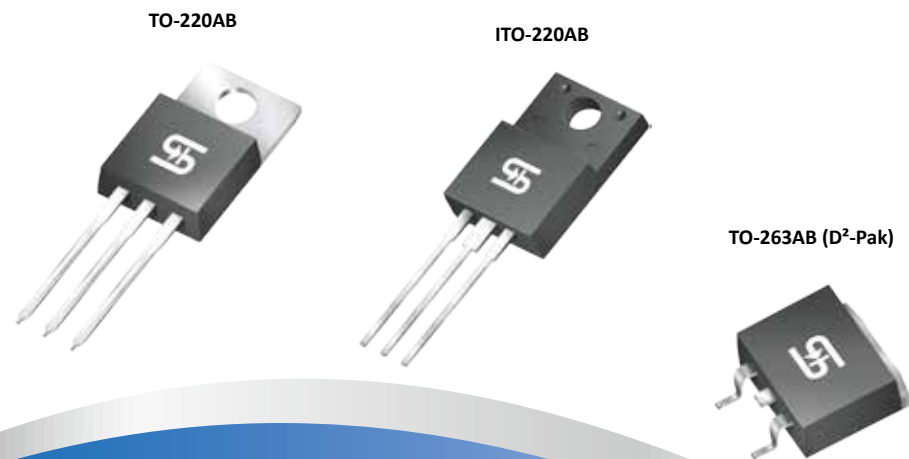
DIODES - ULTRA FAST ($t_{rr} = 15...30ns$)

Part Number	t_{rr}	$I_{F(AV)}$	V_{RRM}	I_{FSM}	V_F	I_R	T_J Max.	Package Description
	(ns)	(A)	(V)	(A)	(V)	(μ A)	($^{\circ}$ C)	
SF801G~SF808G ★	35	8	50-600	125	0.975-1.7	10	150	TO-220AB
SFAS1008G ★	35	10	600	125	1.7	10	150	TO-263AB (D ² -Pak)
SFF10L04G~SFF10L08G ★	35	10	200-600	80-125	0.975-1.7	10	150	ITO -220AB
SFF10L04GA~SFF10L08GA ★	35	10	200-600	80-125	0.975-1.7	10	150	ITO -220AB
SFS1001G~SFS1008G ★	35	10	50-600	125	0.975-1.7	1	150	TO-263AB (D ² -Pak)
SF1001G~SF1008G ★	35	10	50-600	125	0.975-1.7	10	150	TO-220AB
SFA1001G~SFA1008G ★	35	10	50-600	125	0.975-1.7	10	150	TO-220AC
SFF1001G~SFF1008G ★	35	10	50-600	125	0.975-1.7	10	150	ITO-220AB
SFF1001GA~SFF1008GA ★	35	10	50-600	125	0.975-1.7	10	150	ITO-220AB
SFAF1001G~SFAF1008G ★	35	10	50-600	150	0.975-1.7	10	150	ITO-220AC
SF1601G~SF1608G ★	35	16	50-600	125	0.975-1.7	10	150	TO-220AB
SFF1601G~SFF1608G ★	35	16	50-600	125	0.975-1.7	10	150	ITO-220AB
SFS1601G~SFS1608G ★	35	16	50-600	125	0.975-1.7	10	150	TO-263AB (D ² -Pak)
SF1601PT~SF1608PT ★	35	16	50-600	150	0.95-1.7	10	150	TO-247AD (TO-3P)
SFAF1601G~SFAF1608G ★	35	16	50-600	200	0.975-1.7	10	150	ITO-220AC
SFF2004GA~SFF2008GA ★	35	20	200-600	150	0.975-1.7	10	150	ITO-220AB
SF2001G~SF2008G ★	35	20	50-600	150	0.975-1.7	5	150	TO-220AB
SFF2001G~SFF2008G ★	35	20	50-600	150	0.975-1.7	10	150	ITO-220AB
SFAF2001G~SFAF2008G ★	35	20	50-600	200	0.975-1.7	10	150	ITO-220AC
SF2001PT~SF2008PT ★	35	20	50-600	280	0.95-1.7	10	150	TO-247AD (TO-3P)
SF3001PT~SF3008PT ★	35	30	50-600	300	0.95-1.7	10	150	TO-247AD (TO-3P)
UG6005PT ★	35	60	300	300	1.25	5	175	TO-247AD (TO-3P)
UG2JA ★	40	2	600	40	1.3	2	150	DO-214AC (SMA)
TPMR6G~TPMR6J	35-40	6	400-600	100	1.2-1.8	10	175	TO-277A (SMPC)
TPMR10D~TPMR10J	35-40	10	200-600	150	0.95-1.8	5-10	175	TO-277A (SMPC)

($T_A=25^{\circ}$ C unless otherwise noted)

★=AEC-Q101 qualified

Part Number	t_{rr}	$I_{F(AV)}$	V_{RRM}	I_{FSM}	V_F	I_R	T_J Max.	Package Description
	(ns)	(A)	(V)	(A)	(V)	(μ A)	($^{\circ}$ C)	
UG06A~UG06D ★	15	0.6	50-200	40	0.95	5	150	TS-1
ES1DV ★	15	1	200	30	0.92	5	150	DO-214AC (SMA)
ESH1B~ESH1D ★	15	1	100-200	30	0.95	1	175	DO-214AC (SMA)
UG2D ★	15	2	200	80	0.95	5	150	DO-15
ES2DV ★	20	2	200	50	0.9	10	150	DO-214AA (SMB)
ES3DV ★	20	3	200	100	0.9	10	150	DO-214AB (SMC)
UG55J ★	20	5	600	65	2	20	150	TO-263AB (D ² -PAK)
UG5J ★	20	5	600	65	3	30	150	TO-220AC
UG54G~UG58G ★	20	5	200-600	65	1.05-2.1	10	175	DO-201AD
UG54GS~UG58GS ★	20	5	200-600	65	1.05-2.1	10	175	DO-201AD
UG12J ★	20	12	600	135	2	5	150	TO-220AC
UGF12J ★	20	12	600	135	2	5	150	ITO-220AC
ESH2BA~ESH2DA ★	25	1	100-200	50	0.9	1	175	DO-214AC (SMA)
ESH1DM~ESH1JM ★	25	1	200-600	15	1.25	1	150	Micro SMA
MUR105S~MUR120S ★	25	1	50-200	40	0.875	2	175	DO-214AA (SMB)
ESH2B~ESH2D ★	25	2	100-200	60	0.93	2	175	DO-214AA (SMB)
MUR320SB ★	25	3	200	75	0.9	5	175	DO-214AA (SMB)
ESH3B~ESH3D ★	25	3	100-200	125	0.9	5	175	DO-214AB (SMC)
MUR305S~MUR320S ★	25	3	50-200	75	0.875	5	175	DO-214AB (SMC)
MUR420S ★	25	4	200	75	0.875	5	175	DO-214AB (SMC)
MUR420 ★	25	4	200	125	0.89	5	175	DO-201AD
MUR4L20 ★	25	4	200	125	0.89	5	175	DO-201AD
UGF5J ★	25	5	600	65	2.1	30	150	ITO-220AC
TPUH6D~TPUH6J ★	25	6	200-600	80	0.8-1.98	10	175	TO-277A (SMPC)
MUR820 ★	25	8	200	100	0.975	5	175	TO-220AC
UG8J ★	25	8	600	65	2.9	30	150	TO-220AC
UGF8J ★	25	8	600	65	2.9	30	150	ITO-220AC
UGF10L08G	25	10	600	70	1.7	10	150	ITO-220AB
UGF10L08GA	25	10	600	70	1.7	10	150	ITO-220AB
UG10G~UG10J ★	25	10	400-600	90	1.25-2	10-30	150-175	TO-220AC
UGF10G~UGF10J ★	25	10	400-600	90	1.25-2	10-30	150-175	ITO-220AC
UGF12JD ★	25	12	600	100	3.1	0.5	175	ITO-220AC
MUR1620CT ★	25	16	200	100	0.975	5	175	TO-220AB
MURF1620CT ★	25	16	200	100	0.975	5	150	ITO-220AB
UGF1606G ★	25	16	400	90	1.25	10	175	ITO-220AB
UG2004PT ★	25	20	200	200	0.93	200	175	TO-247AD (TO-3P)
UGF8JD ★	30	8	600	100	2.3	5	150	ITO-220AC
UF1DLW~UF1JLW ★	20-25	1	200-600	30	0.95-1.5	1	150	SOD-123W
UGF1004G~UGF1008G ★	20-25	10	200-600	70	0.95-1.7	10	175	ITO-220AB
UGF1004GA~UGF1008GA ★	20-25	10	200-600	70	0.95-1.7	10	175	ITO-220AB
UGF2004G~UGF2008G ★	20-25	20	200-600	150	0.95-1.7	5	150-175	ITO-220AB
UG1004G~UG1008G ★	22-30	10	200-600	10	0.95-1.7	10	175	TO-220AB



DIODES - SCHOTTKY

DIODES - SCHOTTKY

(T_A=25°C unless otherwise noted)

★=AEC-Q101 qualified

Part Number	I _{F(AV)}	V _{RRM}	I _{FSM}	V _F	I _R	T _J Max.	Package Description
	(A)	(V)	(A)	(V)	(μA)	(°C)	
SD101AW~SD101CW	0.02	40-60	2	0.39-0.41	0.2	125	SOD-123
RB751V-40	0.03	40	0.2	0.37	0.5	125	SOD-323
RB751V-40WS	0.03	40	0.2	0.37	0.5	125	SOD-323F
RB706F-40	0.03	45	0.2	0.37	1	125	SOT-323
TSS0340L	0.03	45	0.5	0.37	0.5	125	1005
TSS0340U	0.03	45	0.5	0.37	5	125	0603
BAS70~BAS70-06	0.07	70	0.1	0.41	0.1	150	SOT-23
TSS70L	0.07	70	0.1	0.41	0.1	125	1005
TSS70U	0.07	70	0.1	0.41	0.1	125	0603
RB520G-30	0.1	30	0.5	0.45	0.5	125	SOD-723F
RB500V-40	0.1	45	1	0.45	1	125	SOD-323F
BAT54~BAT54S	0.2	30	0.6	0.24	2	150	SOT-23
BAT54AD~BAT54T	0.2	30	0.6	0.24	2	150	SOT-363
BAT54AD-G~BAT54T-G	0.2	30	0.6	0.24	2	150	SOT-363
BAT54AW~BAT54W	0.2	30	0.6	0.24	2	150	SOT-323
TSS54L	0.2	30	0.6	0.24	2	125	1005
TSS54U	0.2	30	0.6	0.24	2	125	0603
RB520S-30	0.2	30	1	0.6	1	125	SOD-523F
BAS85	0.2	30	4	0.24	2	125	MMELF
BAT43X	0.20	30	4	0.26	0.5	125	SOD-523F
BAT42~BAT43	0.2	30	4	0.33-0.4	0.5	125	DO-35
BAT42W~BAT43W	0.2	30	4	0.33-0.4	0.5	125	SOD-123
BAT42WS~BAT43WS	0.2	30	4	0.33-0.4	0.5	125	SOD-323F
TSS42L~TSS43L	0.2	30	4	0.33-0.4	0.5	125	1005
TSS42U~TSS43U	0.2	30	4	0.33-0.4	0.5	125	0603
TSS0230LU	0.2	35	1	0.5	30	125	0603-B
TSS0230U	0.2	35	1	0.6	5	125	0603
BAS40~BAS40-06	0.2	40	0.2	0.38	0.2	125	SOT-23
TSS40L	0.2	40	0.6	0.38	0.2	125	1005
TSS40U	0.2	40	0.6	0.38	0.2	125	0603
RB495D	0.35	40	1.5	0.32	70	125	SOT-23
SD103AW~SD103CW	0.35	20-40	1.5	0.37	5	125	SOD-123
B0530WS	0.5	30	5	0.36	80	125	SOD-323F
RB551V-40	0.5	40	2	0.47	100	150	SOD-323
SR002~SR010 ★	0.5	20-100	30	0.55-0.85	100-500	150	DO-41
B0520LW~B0540W	0.5	20-40	5.5	0.3-0.51	10-75	125	SOD-123
B0520LWF~B0540WF	0.5	20-40	5.5	0.3-0.51	10-75	125	SOD-123F
SK113B ★	1	30	50	0.39	200	150	DO-214AA (SMB)
SB104	1	40	40	0.52	20	125	DO-41
SRT12~SRT115 ★	1	20-150	25	0.55-0.9	100-500	125-150	TS-1
SS12LS~SS115LS ★	1	20-150	30	0.45-0.9	50-400	125-150	SOD-123HE
SS12L~SS115L ★	1	20-150	30	0.453-0.9	50-400	125-150	SUB SMA
SK12B~SK115B ★	1	20-150	30	0.5-0.95	100-500	125-150	DO-214AA (SMB)
SR102~SR115 ★	1	20-150	30	0.55-0.95	100-500	125-150	DO-41
SS12~SS115 ★	1	20-150	40	0.5-0.95	100-200	125-150	DO-214AC (SMA)
LL5817~LL5819	1	20-40	25	0.45-0.6	500	125	MELF

Part Number	I _{F(AV)}	V _{RRM}	I _{FSM}	V _F	I _R	T _J Max.	Package Description
	(A)	(V)	(A)	(V)	(μA)	(°C)	
1N5817~1N5819 ★	1	20-40	30	0.45-0.6	1,000	150	DO-41
SSL12~SSL14 ★	1	20-40	50	0.39	200	125	DO-214AC (SMA)
LSR102~LSR106	1	20-60	25	0.55-0.7	1,000	125-150	MELF
SS13M~SS16M ★	1	30-60	25	0.55-0.68	50	150	Micro SMA
SS14LW~SS115LW ★	1	40-150	30	0.55-0.95	10-100	150	SOD-123W
SS1H4LS~SS1H20LS ★	1	40-200	30	0.65-0.85	1	150	SOD-123HE
SS1H4LW~SS1H20LW ★	1	40-200	30	0.65-0.85	0.5	175	SOD-123W
SSH210 ★	2	100	75	0.79	1	175	DO-214AA (SMB)
SS22L~SS215L ★	2	20-150	50	0.5-0.85	100-400	125-150	SUB SMA
SK22A~SK215A ★	2	20-150	50	0.5-0.95	100-500	125-150	DO-214AC (SMA)
SS22~SS215 ★	2	20-150	50	0.5-0.95	100-400	125-150	DO-214AA (SMB)
SR202~SR220 ★	2	20-200	50	0.55-0.95	500	125	DO-15
SS22M~SS24M ★	2	20-40	25	0.6	150	150	Micro SMA
SSL22~SSL24 ★	2	20-40	80	0.41	400	150	DO-214AA (SMB)
SK24A-T~SK210A-T	2	40-100	50	0.5-0.85	100-500	125-150	DO-214AC (SMA)
SS24LW~SS220LW ★	2	40-200	50	0.55-0.95	10-200	150	SOD-123W
TSS83L45	3	45	30	0.39	500	150	SOD-128
SK32B~SK320B ★	3	20-200	70	0.5-0.95	100-500	125	DO-214AA (SMB)
SK32A~SK320A ★	3	20-200	70	0.55-0.95	100-500	150	DO-214AC (SMA)
SR302~SR320 ★	3	20-200	80	0.55-0.95	100-500	150	DO-201AD
SS32~SS320 ★	3	20-200	70-100	0.5-0.85	100-500	150	DO-214AB (SMC)
1N5820~1N5822 ★	3	20-40	80	0.475-0.53	500	150	DO-201AD
SSL32~SSL34 ★	3	20-40	100	0.41	200-500	150	DO-214AB (SMC)
SK34A-T~SK310A-T	3	40-100	70	0.55-0.85	100-500	150	DO-214AC (SMA)
SS34L~SS310L ★	3	40-100	80	0.5-0.85	100-500	150	SUB SMA
SS34LW~SS320LW ★	3	40-200	80	0.55-0.95	10-200	150	SOD-123W
MBRF5100~MBRF5200 ★	5	100-200	120	0.9-1.02	100	150	ITO-220AC
SK52B~SK515B ★	5	20-150	120	0.5-0.95	100-500	150	DO-214AA (SMB)
SRAF520~SRAF5150 ★	5	20-150	120	0.55-0.95	200-500	125-150	ITO-220AC
SK52C~SK520C ★	5	20-200	120	0.55-0.95	300-500	150	DO-214AB (SMC)
SR502~SR520 ★	5	20-200	120	0.55-1.05	500	150	DO-201AD
MBR735~MBR7150 ★	7.5	35-150	150	0.57-0.95	100	150	TO-220AC
MBRF735~MBRF7150 ★	7.5	35-150	150	0.57-1.02	100	150	ITO-220AC
SK82C~SK810C ★	8	20-100	150	0.55-0.9	500	125-150	DO-214AB (SMC)
SRAF820~SRAF8150 ★	8	20-150	150	0.55-0.95	100-500	150	ITO-220AC
SRAS820~SRAS8150 ★	8	20-150	150	0.55-0.95	100	150	TO-263AB (D ² -Pak)
SRA820~SRA8150 ★	8	20-150	150	0.55-1.05	100-500	150	TO-220AC
SR802~SR820 ★	8	20-200	150-175	0.55-1.02	100-500	150	DO-201AD
MBRF835CT~MBRF8150CT	8	35-150	150	0.55-0.95	100	150	ITO-220AB
MBR10L100CT ★	10	100	120	0.76	20	150	TO-220AB
MBRF10L100CT ★	10	100	120	0.76	20	150	ITO-220AB
MBR10H100CT~MBR10H200CT ★	10	100-200	120	0.85-0.88	5	175	TO-220AB
MBRF10H100CT~MBRF10H200CT ★	10	100-200	120	0.85-0.88	5	175	ITO-220AB
MBRS10H100CT~MBRS10H200CT ★	10	100-200	120	0.85-0.88	5	175	TO-263AB (D ² -Pak)
SRF1020~SRF10150 ★	10	20-150	120	0.55-0.9	100-500	150	ITO-220AB
SR1020~SR10150 ★	10	20-150	120	0.55-0.95	100-500	150	TO-220AB

DIODES - SCHOTTKY

Part Number	$I_{F(AV)}$	V_{RRM}	I_{FSM}	V_F	I_R	T_J Max.	Package Description
	(A)	(V)	(A)	(V)	(μ A)	($^{\circ}$ C)	
SRS1020~SRS10150 ★	10	20-150	120	0.55-1	100-500	150	TO-263AB (D ² -Pak)
SRA1020~SRA10150 ★	10	20-150	170	0.55-0.75	100-500	150	TO-220AC
SRAF1020~SRAF10150 ★	10	20-150	200	0.55-0.95	100-500	150	ITO-220AC
MBRS1035CT~MBRS10150CT ★	10	35-150	120	0.7-0.88	100	150	TO-263AB (D ² -Pak)
MBRS1035~MBRS10150 ★	10	35-150	120	0.72-1.05	100	175	TO-263AB (D ² -Pak)
MBR1035CT~MBR10200CT ★	10	35-200	120	0.7-0.88	100	150	TO-220AB
MBRF1035CT~MBRF10200CT ★	10	35-200	120	0.7-0.88	100	150	ITO-220AB
MBR1035~MBR10200 ★	10	35-200	150	0.7-1.05	100	150	TO-220AC
MBRF1035~MBRF10200 ★	10	35-200	150	0.7-1.05	100	150	ITO-220AC
MBRS1045CT-Y~MBRS10150CT-Y	10	45-150	120	0.7-0.88	100	150	TO-263AB (D ² -Pak)
MBR1045CT-Y~MBR10200CT-Y	10	45-200	120	0.7-0.88	100	150	TO-220AB
MBRF1045CT-Y~MBRF10200CT-Y	10	45-200	120	0.7-0.88	100	150	ITO-220AB
SR1202~SR1204 ★	12	20-40	280-320	0.55	500	150	DO-201AD
SK12H45~SK12H60 ★	12	45-60	320	0.55-0.7	150	175	DO-201AD
MBRS15H45CT ★	15	45	150	0.65	30	175	TO-263AB (D ² -Pak)
SK15H45 ★	15	45	340	0.56	150	175	R-6
SR1502~SR1504 ★	15	20-40	300-340	0.55	500	150	R-6
MBRF1535CT~MBRF15150CT ★	15	35-150	150	0.57-0.95	100-500	150	ITO-220AB
MBRS1535CT~MBRS15150CT ★	15	35-150	150	0.57-0.95	100	150	TO-263AB (D ² -Pak)
MBR1535CT~MBR15150CT ★	15	35-150	150	0.57-1.05	100	150	TO-220AB
MBRF1545CT-Y~MBRF15200CT-Y	15	45-200	150	0.57-0.95	100-500	150	ITO-220AB
MBRS1545CT-Y~MBRS15200CT-Y	15	45-200	150	0.57-0.95	100	150	TO-263AB (D ² -Pak)
MBR1545CT-Y~MBR15200CT-Y	15	45-200	150	0.57-1.05	100	150	TO-220AB
MBRF16H45	16	45	275	0.63	500	150	ITO-220AC
SRS1620~SRS16100 ★	16	20-100	150	0.55-0.9	100-500	125-150	TO-263AB (D ² -Pak)
SRA1620~SRA16100 ★	16	20-100	200	0.55-0.92	100-500	125-150	TO-220AC
SRAF1620~SRAF16100 ★	16	20-100	275	0.55-0.92	100-500	125	ITO-220AC
SR1620~SR16150 ★	16	20-150	170	0.55-1.05	100-500	125-150	TO-220AB
SR1620PT~SR16150PT ★	16	20-150	200	0.55-1	100-500	125-150	TO-247AD (TO-3P)
SRF1620~SRF16150 ★	16	20-150	200	0.55-1	100-500	125-150	ITO-220AB
MBR1635~MBR16150 ★	16	35-150	150	0.63-0.95	100-500	150	TO-220AC
MBRF1635~MBRF16150 ★	16	35-150	150	0.63-0.95	100-500	150	ITO-220AC
MBRS1635~MBRS16150 ★	16	35-150	150	0.63-0.95	100-500	150	TO-263AB (D ² -Pak)
SK20H45 ★	20	45	275	0.55	500	175	R-6
MBRI20100CT	20	100	150	0.85	100	150	I ² Pak
MBR20L100CT~MBR20L120CT ★	20	100-120	150	0.75-0.83	20	150	TO-220AB
MBRF20L100CT~MBRF20L120CT ★	20	100-120	150	0.75-0.83	20	150	ITO-220AB
MBR20H100CT~MBR20H200CT ★	20	100-200	150	0.85-0.88	5	175	TO-220AB
MBRF20H100CT~MBRF20H200CT ★	20	100-200	150	0.85-0.88	5	175	ITO-220AB
MBRS20H100CT~MBRS20H200CT ★	20	100-200	150	0.85-0.88	5	175	TO-263AB (D ² -Pak)
SR2020~SR20150 ★	20	20-150	200	0.55-1	100-500	125	TO-220AB
SR2020PT~SR20150PT ★	20	20-150	200	0.55-1.02	100-500	125-150	TO-247AD (TO-3P)
SRF2020~SRF20150 ★	20	20-150	200	0.55-1.02	100-500	125-150	ITO-220AB
SRS2020~SRS20150 ★	20	20-150	200	0.55-1.02	100-500	125-150	TO-263AB (D ² -Pak)
SRA2020~SRA20150 ★	20	20-150	300	0.55-1.02	100-500	150	TO-220AC
SRAS2020~SRAS20150 ★	20	20-150	330	0.57-1.02	100-500	150	TO-263AB (D ² -Pak)

DIODES - SCHOTTKY

Part Number	$I_{F(AV)}$	V_{RRM}	I_{FSM}	V_F	I_R	T_J Max.	Package Description
	(A)	(V)	(A)	(V)	(μ A)	($^{\circ}$ C)	
MBRF2035~MBRF20100 ★	20	35-100	150	0.75-0.95	100-200	150	ITO-220AC
MBRS2035CT~MBRS20150CT ★	20	35-150	150	0.57-0.99	100	150	TO-263AB (D ² -Pak)
MBR2035CT~MBR20200CT ★	20	35-200	150	0.57-0.87	100	150	TO-220AB
MBR2035CT-Y~MBR20200CT-Y	20	35-200	150	0.57-0.87	100	150	TO-220AB
MBRF2035CT~MBRF20200CT ★	20	35-200	150	0.57-0.87	100	150	ITO-220AB
MBR2035PT~MBR20200PT ★	20	35-200	150	0.57-0.95	100	150	TO-247AD (TO-3P)
MBRF2045CT-Y~MBRF20200CT-Y	20	45-200	150	0.57-0.85	100	150	ITO-220AB
MBRS2045CT-Y~MBRS20200CT-Y	20	45-200	150	0.7-0.99	100	150	TO-263AB (D ² -Pak)
MBRS25H45CT ★	25	45	150	0.7	200	175	TO-263AB (D ² -Pak)
MBRS2535CT~MBRS25150CT ★	25	35-150	200	0.65-0.95	100-200	150	TO-263AB (D ² -Pak)
MBR2535CT~MBR25150CT ★	25	35-150	200	0.75-0.95	100-200	150	TO-220AB
MBRF2535CT~MBRF25150CT ★	25	35-150	200	0.75-0.95	100-200	150	ITO-220AB
MBR2545CT-Y~MBR25150CT-Y	25	45-150	200	0.82-0.95	100-200	150	TO-220AB
MBRF2545CT-Y~MBRF25150CT-Y	25	45-150	200	0.82-0.95	200	150	ITO-220AB
MBRS3045CT ★	30	45	220	0.7	200	150	TO-263AB (D ² -Pak)
MBRS30H45CT ★	30	45	220	0.7	200	175	TO-263AB (D ² -Pak)
MBR30H100CT ★	30	100	150	0.85	10	175	TO-220AB
MBRI30100CT	30	100	200	0.84	200	150	I ² Pak
SR3020PT~SR30150PT ★	30	20-150	300	0.55-1	500-1,000	150	TO-247AD (TO-3P)
MBR3035CT~MBR30150CT ★	30	35-150	200	0.7-0.95	100-200	150	TO-220AB
MBR3035PT~MBR30200PT ★	30	35-200	200	0.6-1.05	100-1,000	150	TO-247AD (TO-3P)
MBRF3035CT~MBRF30200CT ★	30	35-200	200	0.7-0.95	200	150	ITO-220AB
MBR30L45CT~MBR30L120CT ★	30	45-120	200-220	0.55-0.88	20-500	150	TO-220AB
MBRF30L45CT~MBRF30L120CT ★	30	45-120	200-220	0.55-0.88	20-400	150	ITO-220AB
MBR3045CT-Y~MBR30150CT-Y	30	45-150	200	0.7-0.95	100-200	150	TO-220AB
MBRF3045CT-Y~MBRF30200CT-Y	30	45-200	200	0.7-0.95	200-500	150	ITO-220AB
MBRS4060CT ★	40	60	300	0.8	100	175	TO-263AB (D ² -Pak)
SR4020PT~SR40100PT ★	40	20-100	400	0.55-0.9	500-1,000	125-150	TO-247AD (TO-3P)
MBR4035PT~MBR40200PT ★	40	35-200	330	0.75-0.9	100-1,000	150	TO-247AD (TO-3P)
MBRS6040CT ★	60	40	250	1.05	100	150	TO-263AB (D ² -PAK)
MBR6035PT~MBR60100PT ★	60	35-100	420	0.7-0.84	1,000	150	TO-247AD (TO-3P)



DIODES - TRENCH SCHOTTKY

DIODES - TRENCH SCHOTTKY

(T_A=25°C unless otherwise noted)

★=AEC-Q101 qualified

Part Number	I _{F(AV)} (A)	V _{RRM} (V)	I _{FSM} (A)	V _F (V)	I _R (μA)	T _J Max. (°C)	Package Description
TSP3H150S	3	150	90	0.65	10	150	TO-277A (SMPC)
TSSW3U45~TSSW3U60 ★	3	45-60	50	0.47-0.58	1,000	150	SOD-123W
TSSE3H45~TSSE3H60 ★	3	45-60	60	0.47-0.5	100	150	SOD-123HE
TSSE3U45~TSSE3U60 ★	3	45-60	80	0.4-0.49	1,000	150	SOD-123HE
TSSA3U45~TSSA3U60	3	45-60	50-60	0.42-0.48	500	150	DO-214AC (SMA)
TSPB5H100S~TSPB5H150S	5	100-150	100	0.59-0.74	100-150	150	SMPC4.0
TSSA5U50~TSSA5U60 ★	5	50-60	75	0.44-0.48	300	150	DO-214AC (SMA)
TSPB10U45S	10	45	275	0.37	150	150	SMPC4.0
TSF10U60C	10	60	150	0.42	500	150	ITO-220AB
TSD10L200CW	10	200	100	0.84	50	150	TO-263AB (D ² -Pak)
TSI10L200CW	10	200	100	0.84	50	150	I ² Pak
TSD10H100CW~TSD10H200CW	10	100-200	100	0.62-0.81	100	150	TO-263AB (D ² -Pak)
TSI10H100CW~TSI10H200CW	10	100-200	100	0.62-0.81	100	150	I ² Pak
TST10H100CW~TST10H200CW	10	100-200	100	0.62-0.81	100	150	TO-220AB
TSF10L100CW~TSF10L200CW	10	100-200	100	0.71-0.84	50-100	150	ITO-220AB
TSP10U45S~TSP10U120S	10	45-120	140-275	0.41-0.68	150-300	150	TO-277A (SMPC)
TSF10H45C~TSF10H200C	10	45-200	100	0.48-0.81	100-500	150	ITO-220AB
TSSD10L45SW~TSSD10L200SW	10	45-200	120	0.79-0.92	100	150	TO-252 (D-PAK)
TSP10H45S~TSP10H200S	10	45-200	180	0.44-0.75	100-150	150	TO-277A (SMPC)
TST10L60CW~TST10L200CW	10	60-200	100	0.55-0.84	50-200	150	TO-220AB
TSP12U120S	12	120	150	0.68	500	150	TO-277A (SMPC)
TSF15L60CW	15	60	80	0.61	100	150	ITO-220AB
TSP15H120S~TSP15H200S	15	120-200	250	0.67-0.79	5-6	150	TO-277A (SMPC)
TSPB15U45S~TSPB15U100S	15	45-100	150-200	0.48-0.62	250-2,000	150	SMPC4.0
TSP15U50S~TSP15U120S	15	50-120	150-200	0.48-0.62	250-2,000	150	TO-277A (SMPC)
TSN520M60 ★	20	60	200	0.43	500	150	PDFN56
TSP20U60S	20	60	280	0.43	500	150	TO-277A (SMPC)
TSPB20U80S	20	80	200	0.48	35	150	SMPC4.0
TSF20H100C-S~TSF20H150C-S	20	100-150	120	0.71-0.82	150	150	ITO-220AB
TSF20H100C~TSF20H200C	20	100-200	120	0.74-0.83	100-200	150	ITO-220AB
TSD20H100CW~TSD20H200CW	20	100-200	150	0.57-0.77	100-200	150	TO-263AB (D ² -Pak)
TSI20H100CW~TSI20H200CW	20	100-200	150	0.57-0.77	100-200	150	I ² Pak
TST20H100CW~TST20H200CW	20	100-200	150	0.67-0.83	100-200	150	TO-220AB
TSF20U45C~TSF20U100C	20	45-100	100-200	0.6-0.7	300-600	150	ITO-220AB
TST20U45C~TST20U100C	20	45-100	120-150	0.6-0.65	300-500	150	TO-220AB
TSSD20L45SW~TSSD20L200SW	20	45-200	200	0.76-0.8	100	150	TO-252 (D-PAK)
TSF20L45C~TSF20L200C	20	45-200	100-120	0.55-0.81	100-500	150	ITO-220AB
TST20U45CW~TST20U60CW	20	45-60	200	0.45	500	150	TO-220AB
TST20L60CW~TST20L200CW	20	60-200	100-120	0.56-0.81	100-500	150	TO-220AB
TSN525M60 ★	25	60	220	0.48	500	150	PDFN56
TST30L45C	30	45	120	0.45	650	150	TO-220AB
TSD30H100CW~TSD30H200CW	30	100-200	200	0.69-0.84	150-250	150	TO-263AB (D ² -Pak)
TSI30H100CW~TSI30H200CW	30	100-200	200	0.69-0.84	150-250	150	I ² Pak
TST30H100CW~TST30H200CW	30	100-200	200	0.69-0.84	150-250	150	TO-220AB
TSF30U45C~TSF30U120C	30	45-120	160-250	0.45-0.78	500	150	ITO-220AB
TSF30H45C~TSF30H200C	30	45-200	150-170	0.43-0.84	150-500	150	ITO-220AB

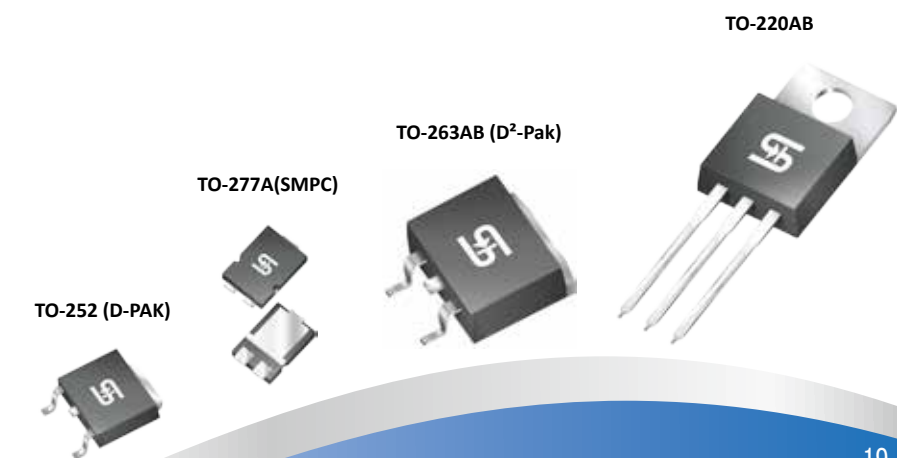
Part Number	I _{F(AV)} (A)	V _{RRM} (V)	I _{FSM} (A)	V _F (V)	I _R (μA)	T _J Max. (°C)	Package Description
TSF30L45C~TSF30L200C	30	45-200	160-180	0.48-0.86	100-500	150	ITO-220AB
TST30L45CW~TST30L200CW	30	45-200	180-200	0.48-0.86	100-500	150	TO-220AB
TST30U45C~TST30U60C	30	45-60	250	0.45-0.48	500	150	TO-220AB
TST30U45CW~TST30U60CW	30	45-60	250	0.45-0.48	500	150	TO-220AB
TSF40U100C	40	100	250	0.51	75	150	ITO-220AB
TSF40H100C~TSF40H200C	40	100-200	250	0.56-0.75	150-500	150	ITO-220AB
TSF40L45C~TSF40L200C	40	45-200	200-250	0.5-0.8	100-500	150	ITO-220AB
TST40L45CW~TST40L200CW	40	45-200	220-250	0.49-0.8	100-500	150	TO-220AB

DIODES - ESD CAPABILITY

(T_A=25°C unless otherwise noted)

★=AEC-Q101 qualified

Part Number	I _{F(AV)} (A)	V _{RRM} (V)	I _{FSM} (A)	V _F (V)	ISO 10605, C = 330 pF, R = 330 Ω (Typ.) (kV)	T _J Max. (°C)	Package Description
TSDGLW ★	1	400	40	1	20	175	SOD-123W
TSD1G ★	1	400	40	1	20	175	DO-214AC (SMA)
TSD2G ★	2	400	50	1	25	175	DO-214AA (SMB)
TSD3G ★	3	400	100	1	25	175	DO-214AB (SMC)



DIODES - SWITCHING (SMALL SIGNAL 150...500mW)

DIODES - TVS

(T_A=25°C unless otherwise noted)

Part Number	V _{RRM}	V _R	P _D	I _{F(AV)}	I _{FSM}	Pulse Width	V _F @ I _F		I _R @ V _R		C _J (Typ.) @V _R @ f			t _{rr}	T _J Max.	Package Description
	(V)	(V)	(mW)	(A)	(A)	(ms)	(V)	(mA)	(μA)	(V)	(pF)	(V)	(MHz)	(ns)	(°C)	
BAV99L	70	70	225	0.2	0.5	0.001	1	50	2.5	70	2	0	1	6	150	SOT-23
BAW56~BAV99	70	70	225	0.2	2	0.001	1	50	2.5	70	2	0	1	6	150	SOT-23
BAS116	75	75	225	0.2	0.5	-	0.9	1	0.005	75	2	0	1	3	150	SOT-23
TS4148C	75	75	200	0.1	0.8	8.3	1	10	0.025	20	4	0	1	4	150	0603 (Ceramics)
TS4148 RXG	75	75	500	0.15	2	8.3	1	100	0.025	20	4	0	1	4	150	1206 (Ceramics)
TS4148 RYG	75	75	500	0.15	2	8.3	1	100	0.025	20	4	0	1	4	150	0805 (Ceramics)
BAS16	75	75	225	0.15	2	1	0.715	1	1	75	2	0	1	3	150	SOT-23
TS4148 RWG	75	75	350	0.15	4	0.001	1	50	0.025	20	4	0	1	4	125	1005
MBD4448HADW~ MBD4448HTW	80	57	200	0.25	4	0.001	0.72	5	0.025	20	4	6	1	4	150	SOT-363
BAV99W	85	75	200	0.15	4	0.001	0.715	1	0.03	25	2	0	1	4	150	SOT-323
BAV99S	85	85	200	0.15	4.5	0.001	0.715	1	1	75	2	0	1	4	150	SOT-363
1SS355	90	90	200	0.15	0.5	-	1.2	100	0.1	80	4	1	1	4	150	SOD-323F
1SS133M	90	90	300	0.15	2	-	1.2	100	0.5	80	4	0	1	4	200	DO-34
1SS400	100	100	200	0.2	0.5	-	1.2	100	0.1	80	4	1	1	4	150	SOD-523F
TS4448 RG	100	100	150	0.125	2	8.3	0.72	5	0.025	20	9	1	1	9	125	0603
TS4448 RW	100	100	200	0.125	2	8.3	0.72	5	0.025	20	9	0	1	4	125	1005
1N4148~1N914B	100	100	500	0.15	2	0.001	0.72-1	5-10	0.025	20	4	0	1	4	150	DO-35
1N4148WS-G	100	75	200	0.15	2	0.001	1	50	0.025	20	2	0	1	4	150	SOD-323
LS4148	100	75	500	0.15	2	-	1	10	0.025	20	4	0	1	4	175	QMMELF
1N4148W-G	100	100	350	0.15	2	1	0.715	1	0.025	20	2	0	1	4	150	SOD-123
MMBD4148~ MMBD4148SE	100	75	350	0.2	2	0.001	1	10	0.025	20	4	0	1	4	150	SOT-23
1N4148WS~ 1N914BWS	100	75	200	0.15	-	-	0.72-1	5-10	0.025	20	4	0	1	4	150	SOD-323F
1N4148W~ 1N914BW	100	75	400	0.15	-	-	0.72-1	5-10	0.025	20	4	0	1	4	150	SOD-123F
BAS21~BAS21S	250	250	225	0.2	1	8.3	1	100	0.1	200	5	1	1	50	150	SOT-23
BAV19WS~ BAV21WS	250	250	200	-	2.5	0.001	1	100	0.1	100-200	5	0	1	50	150	SOD-323F
BAV101~BAV103	250	250	500	0.2	4	0.001	1	100	0.1	100-200	5	0	1	50	200	MMELF
BAV19W~ BAV21W	250	250	410	0.2	1-4	0.001	1	100	0.1	100-200	5	0	1	50	150	SOD-123F
MMBD3004~ MMBD3004SE	350	350	350	0.225	4	0.001	1	100	0.1	240	5	1	1	50	150	SOT-23
BAV19~BAV21	-	120-250	500	0.2	4	0.001	1	100	0.1	100-200	5	0	1	50	175	DO-35
BAS316	-	100	200	0.25	4	0.001	0.855	10	0.03	25	2	0	1	4	150	SOD-323
BAS316WS	-	100	200	0.25	4	0.001	0.715	1	0.03	25	2	0	1	4	150	SOD-323F
BAS19~BAS20	100-150	100-150	250	0.2	-	-	1	100	0.1	100-150	5	0	1	50	150	SOT-23
BAS19W~ BAS21W	100-250	100-250	200	0.2	-	-	1.25	100	0.1	100-250	5	0	1	50	150	SOT-323
BAV19W-G~ BAV21W-G	120-250	100-250	500	0.2	2.5	1	1	100	0.1	100-200	5	0	1	50	150	SOD-123
BAV19WS-G~ BAV21WS-G	120-250	100-250	200	-	2.5	0.001	1	100	0.1	100-200	5	0	1	50	150	SOD-323
LL4148~LL4448	75-100	75	500	0.15	2	8.3	0.72-1	5-50	0.025	20	4	0	1	4	175	MMELF

(T_A=25°C unless otherwise noted)

★=AEC-Q101 qualified

Part Number	Polarity	Steady State Power Dissipation at T _L =75°C, Lead Length 0.375", 9.5mm	Peak Power Dissipation at T _A =25°C, tp=1ms	Breakdown Voltage		Stand Off Voltage	Peak Forward Surge Current, 8.3 ms Single Half Sine-wave Superimposed on Rated Load	Package Description
		P _D (Watts)	P _{PK} (Watts)	V _{BR} (Min.)	V _{BR} (Max.)	V _{WM}	I _{FSM} (Amps)	
SMF5.0A~SMF188A ★	Unidirectional	1	200	6.4-209	7.14-231	5-188	50	SOD-123W
BZW04-10~BZW04-376 ★	Unidirectional	1	400	11.4-418	12.6-462	10.2-376	40	DO-41
BZW04-10B~BZW04-376B ★	Bidirectional	1	400	11.4-418	12.6-462	10.2-376	40	DO-41
P4KE6.8~P4KE440 ★	Unidirectional	1	400	6.12-396	7.48-484	5.5-356	40	DO-41
P4KE6.8A~P4KE440A ★	Unidirectional	1	400	6.46-418	7.14-462	5.8-376	40	DO-41
P4KE6.8C~P4KE440C ★	Bidirectional	1	400	6.12-396	7.48-484	5.5-356	40	DO-41
P4KE6.8CA~P4KE440CA ★	Bidirectional	1	400	6.46-418	7.14-462	5.8-376	40	DO-41
P4SMA6.8~P4SMA200 ★	Unidirectional	1	400	6.12-180	7.48-220	5.5-162	40	DO-214AC (SMA)
P4SMA6.8A~P4SMA200A ★	Unidirectional	1	400	6.46-190	7.14-210	5.8-171	40	DO-214AC (SMA)
P4SMA6.8C~P4SMA200C ★	Bidirectional	1	400	6.12-180	7.48-220	5.5-162	40	DO-214AC (SMA)
P4SMA6.8CA~P4SMA200CA ★	Bidirectional	1	400	6.46-190	7.14-210	5.8-171	40	DO-214AC (SMA)
SMAJ5.0~SMAJ188 ★	Unidirectional	1	400	6.4-209	7.3-255	5-188	40	DO-214AC (SMA)
SMAJ5.0A~SMAJ188A ★	Unidirectional	1	400	6.4-209	7-231	5-188	40	DO-214AC (SMA)
SMAJ5.0C~SMAJ188C ★	Bidirectional	1	400	6.4-209	7.3-255	5-188	40	DO-214AC (SMA)
SMAJ5.0CA~SMAJ188CA ★	Bidirectional	1	400	6.4-209	7-231	5-188	40	DO-214AC (SMA)
SMA4F5.0A~SMA4F188A ★	Unidirectional	1	400	6.4-209	7.14-231	5-188	40	SlimSMA
SMA4F5.0CA~SMA4F188CA ★	Bidirectional	1	400	6.4-209	7.14-231	5-188	40	SlimSMA
SMA4S5.0A~SMA4S188A ★	Unidirectional	1	400	6.4-209	7.14-231	5-188	40	SOD-128
SMA4S5.0CA~SMA4S188CA ★	Bidirectional	1	400	6.4-209	7.14-231	5-188	40	SOD-128
SA5.0~SA170 ★	Unidirectional	3	500	6.4-189	7.3-231	5-170	70	DO-15
SA5.0A~SA170A ★	Unidirectional	3	500	6.4-189	7-209	5-170	70	DO-15
SA5.0C~SA170C ★	Bidirectional	3	500	6.4-189	7.3-231	5-170	70	DO-15
SA5.0CA~SA170CA ★	Bidirectional	3	500	6.4-189	7-209	5-170	70	DO-15
SMA6F5.0A~SMA6F188A ★	Unidirectional	1	600	6.4-209	7.14-231	5-188	100	SlimSMA
SMA6F5.0CA~SMA6F188CA ★	Bidirectional	1	600	6.4-209	7.14-231	5-188	100	SlimSMA
SMA6S5.0A~SMA6S188A ★	Unidirectional	1	600	6.4-209	7.14-231	5-188	100	SOD-128
SMA6S5.0CA~SMA6S188CA ★	Bidirectional	1	600	6.4-209	7.14-231	5-188	100	SOD-128
BZW06-13~BZW06-376 ★	Unidirectional	1.7	600	14.3-418	15.8-462	12.8-376	100	DO-15
BZW06-13B~BZW06-376B	Bidirectional	1.7	600	14.3-418	15.8-462	12.8-376	100	DO-15
P6KE6.8~P6KE440 ★	Unidirectional	5	600	6.12-396	7.48-484	5.5-356	100	DO-15
P6KE6.8A~P6KE440A ★	Unidirectional	5	600	6.45-418	7.14-462	5.8-376	100	DO-15
P6KE6.8C~P6KE440C ★	Bidirectional	5	600	6.12-396	7.48-484	5.5-356	100	DO-15
P6KE6.8CA~P6KE440CA ★	Bidirectional	5	600	6.46-418	7.14-462	5.8-376	100	DO-15
P6SMB6.8~P6SMB220 ★	Unidirectional	3	600	6.12-198	7.48-242	5.5-175	100	DO-214AA (SMB)
P6SMB6.8A~P6SMB220A ★	Unidirectional	3	600	6.45-209	7.14-231	5.8-185	100	DO-214AA (SMB)
P6SMB6.8C~P6SMB220C ★	Bidirectional	3	600	6.12-198	7.48-242	5.5-175	100	DO-214AA (SMB)
P6SMB6.8CA~P6SMB220CA ★	Bidirectional	3	600	6.45-209	7.14-231	5.8-185	100	DO-214AA (SMB)
SMA6J10A~SMA6J30A ★	Unidirectional	4	600	11.1-33.3	12.3-36.8	10-30	50	DO-214AC (SMA)
SMBJ5.0~SMBJ170 ★	Unidirectional	3	600	6.4-189	7.3-231	5-170	100	DO-214AA (SMB)
SMBJ5.0A~SMBJ170A ★	Unidirectional	3	600	6.4-189	7-209	5-170	100	DO-214AA (SMB)
SMBJ5.0C~SMBJ170C ★	Bidirectional	3	600	6.4-189	7.3-231	5-170	100	DO-214AA (SMB)
SMBJ5.0CA~SMBJ170CA ★	Bidirectional	3	600	6.4-189	7-209	5-170	100	DO-214AA (SMB)

DIODES - TVS

DIODES - ZENER

Part Number	Polarity	Steady State Power Dissipation at $T_L=75^\circ\text{C}$, Lead Length 0.375", 9.5mm	Peak Power Dissipation at $T_A=25^\circ\text{C}$, $t_p=1\text{ms}$	Breakdown Voltage		Stand Off Voltage	Peak Forward Surge Current, 8.3 ms Single Half Sine-wave Superimposed on Rated Load	Package Description
		P_D (Watts)	P_{PK} (Watts)	V_{BR} (Min.)	V_{BR} (Max.)	V_{WM}	I_{FSM} (Amps)	
1KSMB10A~1KSMB100A ★	Unidirectional	5	1,000	9.5-95	10.5-105	8.55-85.5	100	DO-214AA (SMB)
1KSMB10CA~1KSMB100CA ★	Bidirectional			9.5-95	10.5-105	8.55-85.5		
SMB10J9.0A~SMB10J40A ★	Unidirectional	5	1,000	10-44.4	11.1-49.1	9-40	100	DO-214AA (SMB)
SMB10J9.0CA~SMB10J40CA ★	Bidirectional			10-44.4	11.1-49.1	9-40		
1.5KE6.8~1.5KE440 ★	Unidirectional	5	1,500	6.12-418	7.48-484	5.5-356	200	DO-201
1.5KE6.8A~1.5KE440A ★				Bidirectional	6.45-418	7.14-462		
1.5KE6.8C~1.5KE440C ★	6.12-396				7.48-484	5.5-356		
1.5KE6.8CA~1.5KE440CA ★	6.46-418			7.14-462	5.8-376			
1.5SMC6.8~1.5SMC200 ★	Unidirectional	6.5	1,500	6.12-180	7.48-220	5.5-162	200	DO-214AB (SMC)
1.5SMC6.8A~1.5SMC200A ★				Bidirectional	6.45-190	7.14-210		
1.5SMC6.8C~1.5SMC200C ★	6.12-180				7.48-220	5.5-162		
1.5SMC6.8CA~1.5SMC200CA ★	6.45-190			7.14-210	5.8-171			
SMCJ5.0~SMCJ170 ★	Unidirectional	5	1,500	6.4-189	7.3-231	5-170	200	DO-214AB (SMC)
SMCJ5.0A~SMCJ170A ★				Bidirectional	6.4-189	7-209		
SMCJ5.0C~SMCJ170C ★	6.4-189				7.3-231	5-170		
SMCJ5.0CA~SMCJ170CA ★	6.4-189			7-209	5-170			
TVSPBR15A~TVSPBR100A ★	Unidirectional	6.5	1,500	14.3-95	16.5-105	15-100	200	TO-277A (SMPC)
SMDJ10A~SMDJ100A ★	Unidirectional	6.5	3,000	11.1-111	12.3-123	10-100	300	DO-214AB (SMC)
SMDJ10CA~SMDJ64CA ★	Bidirectional			11.1-71.1	12.3-78.6	10-64		
5.0SMDJ16A~5.0SMDJ100A ★	Unidirectional	6.5	5,000	17.8-111	19.7-123	16-100	300	DO-214AB(SMC)

($T_A=25^\circ\text{C}$ unless otherwise noted)

Part Number	P_D	Tolerance	V_Z @ I_{ZT} Nom.	V_Z @ I_{ZT} Min.	V_Z @ I_{ZT} Max.	I_{ZT} @ V_Z	Z_{ZT} @ I_{ZT}	Z_{ZK} @ I_{ZK}	I_R @ V_R	I_R @ V_R	T_J Max.	Package Description
	(mW)	+/- (%)	(V)	(V)	(V)	(mA)	(Ω)	(mA)	(μA)	(V)	($^\circ\text{C}$)	
TSZU52C2V0~TSZU52C39	150	5	2-39	-	-	5	7-100	1	0.1-100	0.8-29	-	0603
BZX584B4V7~BZX584B20	150	2	4.7-20	-	-	5	10-80	1	0.1-3	2-14	-	SOD-523F
BZT52C2V2K~BZT52C75K	200	5	2.2-75	-	-	1-5	10-255	1	0.1-120	0.7-57	-	SOD-523F
TSZL52C2V4~TSZL52C39	200	5	2.4-39	-	-	5	7-95	1	0.1-100	1-29	-	1005
BZX585B2V4~BZX585B51	200	2	2.4-51	-	-	2-5	10-180	0.5-1	0.045-45	1-35.7	-	SOD-523F
BZT52B2V4S~BZT52B75S	200	2	2.4-75	-	-	2-5	10-255	0.5-1	0.045-45	1-52.5	-	SOD-323F
BZT52C2V4S~BZT52C75S	200	5	2.4-75	-	-	2-5	10-255	0.5-1	0.045-45	1-52.5	-	SOD-323F
UDZ53V6B~UDZ536B	200	2	3.6-36	-	-	5	20-100	0.5-1	0.045-4.5	1-27	-	SOD-323F
BZX84C2V4~BZX84C39	300	5	2.4-39	-	-	2-5	10-230	0.5-1	0.1-50	1-27.3	-	SOT-23
AZ23C2V7~AZ23C51	300	5	2.7-51	-	-	5	7-100	1	0.1	0.8-28	-	SOT-23
BZT52C2V4-G~BZT52C43-G	350	5	2.4-43	-	-	2-5	10-130	0.5-1	0.1-50	1-32	-	SOD-123
BZT52B2V4-G~BZT52B43-G	410	2	2.4-43	-	-	2-5	10-130	0.5-1	0.1-50	1-29.4	-	SOD-123
MTZJ2V0SA~MTZJ56S	500	-	-	1.88-53	2.1-60	5	20-120	-	-	-	175	DO-34
BZ555B2V4~BZ555B36	500	2	2.4-36	-	-	5	7-85	1	0.1-50	1-27	-	1206
BZY55C2V4~BZY55C36	500	5	2.4-36	-	-	5	7-85	1	0.1-50	1-27	-	0805
BZ555C2V4~BZ555C36	500	5	2.4-36	-	-	5	7-85	1	0.1-50	1-27	-	1206
BZY55B2V4~BZY55B36	500	2	2.4-36	-	-	5	7-85	1	0.1-50	1-27	-	0805
1N5221B~1N5263B	500	5	2.4-56	-	-	2.2-20	5-150	0.25	0.1-100	1-43	-	DO-35
MMSZ5221B~MMSZ5263B	500	5	2.4-56	-	-	2.2-20	5-150	0.25	0.1-100	1-43	-	SOD-123F
BZT52B2V4~BZT52B75	500	2	2.4-75	-	-	2-5	10-255	0.5-1	0.045-45	1-52.5	-	SOD-123F
BZT52C2V4~BZT52C75	500	5	2.4-75	-	-	2-5	10-255	0.5-1	0.045-45	1-52.5	-	SOD-123F
BZX79B2V4~BZX79B75	500	2	2.4-75	2.35-73.5	2.45-76.5	2-5	10-255	0.5-1	0.05-100	1-52.5	175	DO-35
BZX55B2V4~BZX55B75	500	2	2.4-75	2.35-73.5	2.35-76.5	2.5-5	7-170	0.5-1	0.1-50	1-56	175	DO-35
BZT55B2V4~BZT55B75	500	2	2.4-75	-	-	2.5-5	7-170	0.5-1	0.1-50	1-56	-	QMMELF
BZT55C2V4~BZT55C75	500	5	2.4-75	-	-	2.5-5	7-170	0.5-1	0.1-50	1-56	-	QMMELF
BZV55B2V4~BZV55B75	500	2	2.4-75	-	-	2.5-5	7-170	0.5-1	0.1-50	1-56	-	MMELF
BZV55C2V4~BZV55C75	500	5	2.4-75	-	-	2.5-5	7-170	0.5-1	0.1-50	1-56	-	MMELF
BZX79C2V0~BZX79C75	500	5	2-75	-	-	2-5	10-255	0.5-1	0.05-150	1-52.5	-	DO-35
BZX55C2V0~BZX55C75	500	5	2-75	1.88-70	2.11-80	2.5-5	7-170	0.5-1	0.1-100	1-56	175	DO-35
MTZJ7V5A~MTZJ18B	500	2.5~2.7	7.04~17.26	6.85~16.82	7.22~17.7	5	20~45	0.5	0.2~0.5	4~13	175	DO-34
1N4728G~1N4758G	1,000	5	3.3-56	-	-	4.5-76	2-110	0.25-1	5-100	1-42.6	-	DO-41
ZM4728A~ZM4758A	1,000	5	3.3-56	-	-	4.5-76	2-110	0.25-1	5-100	1-42.6	-	MELF
BZX85C3V3~BZX85C56	1,300	5	3.3-56	-	-	4-80	3-120	0.25-1	0.5-40	1-39	-	DO-41

TO-277A (SMPC)



SOD-123W



SOD-128



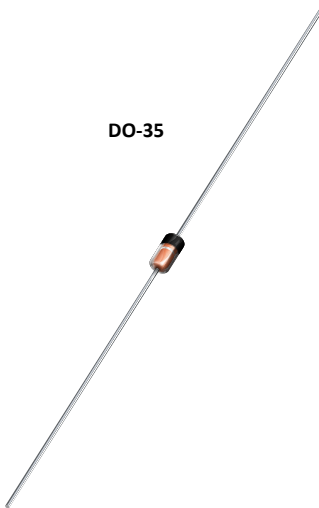
SlimSMA



MMELF



DO-35



DIODES - ZENER

ESD - PROTECTION

(T_A=25°C unless otherwise noted)

★=AEC-Q101 qualified

Part Number	P _D (mW)	Tolerance +/- (%)	V _Z @ I _{ZT} Nom. (V)	V _Z @ I _{ZT} Min. (V)	V _Z @ I _{ZT} Max. (V)	I _{ZT} @ V _Z (mA)	T _J Max. (°C)	Package Description
BZD17C11P~BZD17C220P ★	800	-	11-220	10.4-208	11.6-233	4-50	175	Sub SMA
1N4740A~1M200Z ★	1,000	5	10-200	9.5-190	10.5-210	1.2-25	150	DO-41
BZD27C11PW~BZD27C220PW ★	1,000	-	11-220	10.5-209	11.6-231	5-50	175	SOD-123W
BZD27C10P~BZD27C220P ★	1,000	-	6.8-220	6.4-208	7.2-233	5-100	175	Sub SMA
1SMA4737~1SMA200Z ★	1,000	-	7.5-200	-	-	1.2-34	175	DO-214AC (SMA)
1SMA5926~1SMA5956 ★	1,500	5	11-200	10.45-190	11.55-210	1.9-34.1	150	DO-214AC (SMA)
2M6.8Z~2M200Z ★	2,000	-	6.8-200	-	-	2.5-100	150	DO-15
1SMB5926~1SMB5956 ★	3,000	5	11-200	10.45-190	11.55-210	1.9-34.1	150	DO-214AA (SMB)
1SMC5352 ★	5,000	-	15	-	-	75	150	DO-214AB (SMC)

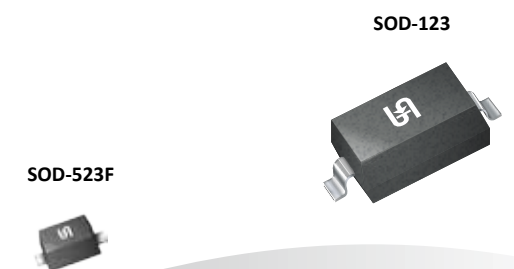
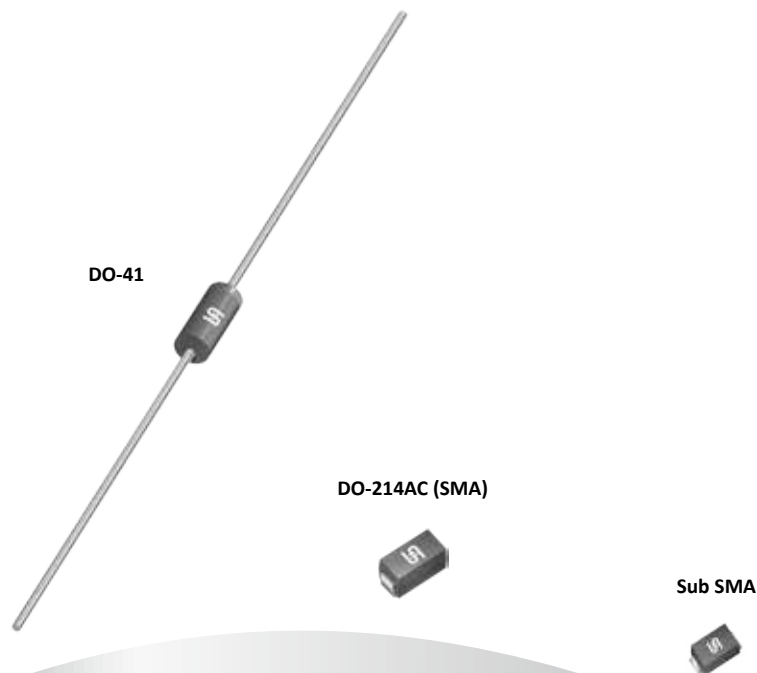
(T_A=25°C unless otherwise noted)

Part Number	Family	V _{BR} (Min.) (V)	I _R (μA)	V _{WM} (V)	@ V _{WM} ID (μA)	I _{PPM} (A)	@ I _{PPM} V _C (°C)	C _J (pF)	P _{PP} (W)	T _J Max. (°C)	Channel	Package Description
TESDE5V0~TESDE24V	Bidirectional	5.1-25	2	5-24	2	1-5	15-47	10-15	25-75	150	1	0503
TESDU5V0~TESDU24V	Bidirectional	5.1	2	5-24	2	1-5	15-47	10-15	25-75	150	1	0603
TESDL5V0~TESDL24V	Bidirectional	5.1	2	5-24	2	1-5	15-47	10-15	25-75	150	1	1005
TESDUB5V0~TESDUB24V	Bidirectional	5.1-25	-	5-24	2	1-5	15-47	10-15	25-75	125	1	0603-B
TESDQ5V0	Bidirectional	6	1	5	1	2	20	10	100	150	1	DFN1006 (0402)
TESDC5V0	Bidirectional	6	5	5	5	5	9.8	200	320	150	1	SOD-323
TESDC24V	Bidirectional	26.7	1	24	1	17	52	50	320	150	1	SOD-323
TESDD5V0	Bidirectional	6	1	5	1	3	15	13	100	150	1	SOD-523F
TESDF5V0A	Bidirectional	6	1	5	1	2.5	15	10	100	150	2	SOT-23
TESDA5V0A	Unidirectional	6	1	5	1	15	15	0.8	350	150	2	SOT-23
TESDF5V0AU	Unidirectional	6	10	5	10	15	15	350	300	150	2	SOT-23
TESDS5V0A	Unidirectional	6	1	5	1	2	25	1.2	350	150	4	SOT-26

DIACS (TRIGGER DIODE)

(T_A=25°C unless otherwise noted)

Part Number	V _{BO} (V)	+/- V _{BO} (V)	I _{BO} (mA)	P _D (mW)	I _{FRM}		I _{BO} Max.		I _R Max.		Package Description
					(A)	@ Pulse Width (ms)	μA	C _J (pF)	μA	V _R (V)	
SODDB3T	34	2	0.015	400	2	0.02	15	22	10	0.5	SOD-123
SODDB3	36	3	0.1	400	2	0.02	100	22	10	0.5	SOD-123



MOSFETS - DUAL AND COMPLEMENTARY

MOSFETS - DUAL AND COMPLEMENTARY

(T_A=25°C unless otherwise noted)

Part Number	Configuration	Technology	Type	V _{DS} (V)	V _{GS} ± (V)	I _D Max. (A)	V _{GS(th)}			R _{DS(ON)}			
							Min. (V)	Typ. (V)	Max. (V)	@ 10V		@ 4.5V	
							Typ. (mΩ)	Max. (mΩ)	Typ. (mΩ)	Max. (mΩ)			
TSM8568CS	Complementary	Trench	N-Channel	30	20	15	1	1.4	2.5	10	16	13	20
TSM8568CS	Complementary	Trench	P-Channel	-30	25	13	-1	-1.7	-2.5	18	24	30	37
TSM2537CQ	Complementary	Trench	N-Channel	20	12	11.6	0.5	0.8	1	-	-	17	30
TSM2537CQ	Complementary	Trench	P-Channel	-20	12	-9	-0.45	-0.7	-1	-	-	48	55
TSM680P06DPQ56	Dual	Trench	P-Channel	-60	20	-12	-1.2	-1.6	-2.5	54	68	90	110
TSM4925DCS	Dual	Trench	P-Channel	-30	20	-7.1	-1	-	-3	20	25	33	41
TSM4953DCS	Dual	Trench	P-Channel	-30	20	-4.9	-1	-1.5	-3	50	60	75	90
TSM3911DCX6	Dual	Trench	P-Channel	-20	8	-2.2	-0.45	-	-0.95	-	-	115	140
TSM500P02DCQ	Dual	Trench	P-Channel	-20	10	-4.7	-0.3	-0.6	-0.8	-	-	42	50
TSM9933DCS	Dual	Trench	P-Channel	-20	12	-4.7	-0.6	-	-1.4	-	-	48	60
TSM6963SDCA	Dual	Trench	P-Channel	-20	12	-5	-0.5	-	-1	-	-	23	30
TSM250N02DCQ	Dual	Trench	N-Channel	20	10	5.8	0.4	0.6	0.8	-	-	20	25
TSM6866SDCA	Dual	Trench	N-Channel	20	12	6	0.6	0.85	1.2	-	-	21	30
TSM9926DCS	Dual	Trench	N-Channel	20	12	6	0.6	0.85	1.2	-	-	21	30
TSM6968DCA	Dual	Trench	N-Channel	20	12	6.5	0.6	0.8	1	-	-	15	22
TSM6968SDCA	Dual	Trench	N-Channel	20	12	6.5	0.6	0.8	1	-	-	15	22
TSM4936DCS	Dual	Trench	N-Channel	30	20	5.9	1	1.5	3	32	36	42	53
TSM200N03DPQ33	Dual	Trench	N-Channel	30	20	20	1.2	1.5	2.5	17	20	23	30
TSM4946DCS	Dual	Trench	N-Channel	60	20	4.5	1	-	3	45	55	55	75
TSM1N45DCS	Dual	Planar	N-Channel	450	50	0.5	2.3	3	3.7	3,700	4,250	-	-

R _{DS(ON)}				Q _g (nC)		Q _{gs} (nC)	Q _{gd} (nC)	C _{iss} (pF)	C _{oss} (pF)	C _{rss} (pF)	Package Description
@ 2.5V		@ 1.8V		@ 10V	@ 4.5V						
Typ. (mΩ)	Max. (mΩ)	Typ. (mΩ)	Max. (mΩ)								
-	-	-	-	14	7	1.7	3.7	646	108	70	SOP-8
-	-	-	-	21.5	11	3.4	5.3	1,089	190	119	SOP-8
22	36	32	42	-	9.1	1.3	2.7	677	120	89	TDFN 2x2
60	78	78	90	-	9.8	1.1	2.7	744	106	97	TDFN 2x2
-	-	-	-	16.4	-	2.8	3.6	870	70	42	PDFN56 Dual
-	-	-	-	33	-	5.8	8.6	1,573	319	211	SOP-8
-	-	-	-	28	-	3	7	745	440	120	SOP-8
163	200	220	300	-	15.23	5.49	2.74	883	145.54	97.26	SOT-26
57	65	75	85	-	9.6	1.6	2	850	70	55	TDFN 2x2
65	85	-	-	-	8.5	2.1	4.7	1,500	220	160	SOP-8
30	42	45	68	-	20	1.4	1.9	640	180	90	TSSOP-8
27	35	39	55	-	7.7	0.9	2.4	535	60	34	TDFN 2x2
30	40	-	-	-	5	1	1.5	565	105	75	TSSOP-8
30	40	-	-	-	7.1	0.92	1.4	562	106	75	SOP-8
20	29	-	-	-	15	3.4	1.2	950	450	135	TSSOP-8
20	29	-	-	-	15	3.4	1.2	950	450	135	TSSOP-8
-	-	-	-	13	-	4.2	3.1	610	100	77	SOP-8
-	-	-	-	-	4	1	2.1	345	55	32	PDFN33
-	-	-	-	18	10.5	4	3	910	145	67	SOP-8
-	-	-	-	6.5	-	0.9	3.2	185	29	6.5	SOP-8

MOSFETS - SINGLE P CHANNEL

MOSFETS - SINGLE P CHANNEL

(T_A=25°C unless otherwise noted)

Part Number	Technology	Type	V _{DS} (V)	V _{GS} ± (V)	I _D Max. (A)	V _{GS(th)}			R _{DS(ON)}			
						Min. (V)	Typ. (V)	Max. (V)	@ 10V		@ 4.5V	
						Typ. (mΩ)	Max. (mΩ)	Typ. (mΩ)	Max. (mΩ)			
TSM480P06CP	Trench	P-Channel	-60	20	-20	-1.2	-1.6	-2.2	39	48	53	65
TSM480P06CH	Trench	P-Channel	-60	20	-20	-1.2	-1.6	-2.2	39	48	53	65
TSM680P06CP	Trench	P-Channel	-60	20	-18	-1.2	-1.6	-2.2	54	68	72	110
TSM680P06CH	Trench	P-Channel	-60	20	-18	-1.2	-1.6	-2.2	54	68	72	110
TSM7P06CP	Trench	P-Channel	-60	20	-7	-1.2	-1.6	-2.5	153	180	198	220
TSM9409CS	Trench	P-Channel	-60	20	-3.5	-1	-	-	125	155	153	200
TSM2309CX	Trench	P-Channel	-60	20	-3.1	-1.2	-1.9	-2.5	160	190	200	240
TSM150P04LCS	Trench	P-Channel	-40	20	-22	-1	-1.65	-2.5	11	15	15	21
TSM650P03CX	Trench	P-Channel	-30	12	-4.1	-0.4	-0.7	-0.9	55	65	65	75
TSM085P03CV	Trench	P-Channel	-30	20	-64	-1.2	-1.6	-2.5	7.1	8.5	11	14
TSM150P03PQ33	Trench	P-Channel	-30	20	-36	-1.2	-1.6	-2.5	13	15	22	30
TSM4459CS	Trench	P-Channel	-30	20	-17	-1	-	-3	4	5	7	10
TSM4425CS	Trench	P-Channel	-30	20	-11	-1	-	-3	10	12	15	19
TSM180P03CS	Trench	P-Channel	-30	20	-10	-1.2	-1.6	-2.5	14	18	23	30

R _{DS(ON)}				Q _g (nC)		Q _{gs} (nC)	Q _{gd} (nC)	C _{iss} (pF)	C _{oss} (pF)	C _{rss} (pF)	Package Description
@ 2.5V		@ 1.8V		@ 10V	@ 4.5V						
Typ. (mΩ)	Max. (mΩ)	Typ. (mΩ)	Max. (mΩ)								
-	-	-	-	22.4	-	4.1	5.2	1,250	85	65	TO-252 (D-PAK)
-	-	-	-	22.4	-	4.1	5.2	1,250	85	65	TO-251S (I-PAK SL)
-	-	-	-	16.4	-	2.8	3.6	870	70	42	TO-252 (D-PAK)
-	-	-	-	16.4	-	2.8	3.6	870	70	42	TO-251S (I-PAK SL)
-	-	-	-	8.2	-	1.8	1.5	425	35	20	TO-252 (D-PAK)
-	-	-	-	-	-	1.7	1.5	540	60	30	SOP-8
-	-	-	-	8.2	-	1.8	1.5	425	35	20	SOT-23
-	-	-	-	48	23	9	8.5	2783	269	142	SOP-8
85	100	-	-	-	8	1.9	1.4	810	85	50	SOT-23
-	-	-	-	55	27	9.2	9.9	3,234	396	251	PDFN33
-	-	-	-	29.3	14.3	5.9	5.2	1,829	227	160	PDFN33
-	-	-	-	-	78.4	25.1	38.7	6,205	963	330	SOP-8
-	-	-	-	64	-	11	25	3,680	930	620	SOP-8
-	-	-	-	-	14.6	4.1	6.3	1,730	180	125	SOP-8

MOSFETS - SINGLE P CHANNEL

MOSFETS - SINGLE P CHANNEL

Part Number	Technology	Type	V _{DS} (V)	V _{GS} ± (V)	I _D Max. (A)	V _{GS(th)}			R _{DS(ON)}			
						Min. (V)	Typ. (V)	Max. (V)	@ 10V		@ 4.5V	
						Typ. (mΩ)	Max. (mΩ)	Typ. (mΩ)	Max. (mΩ)			
TSM4435BCS	Trench	P-Channel	-30	20	-9.1	-1	-	-3	17	21	25	35
TSM3481CX6	Trench	P-Channel	-30	20	-5.3	-1	-	-3	38	48	63	79
TSM9435CS	Trench	P-Channel	-30	20	-5.3	-1	-1.5	-3	50	60	75	90
TSM3457CX6	Trench	P-Channel	-30	20	-5	-1	-1.5	-3	50	60	82	100
TSM600P03CS	Trench	P-Channel	-30	20	-4.7	-1.2	-1.6	-2.5	44	60	73	90
TSM2307CX	Trench	P-Channel	-30	20	-3	-1	-	-3	76	95	103	140
TSM3401CX	Trench	P-Channel	-30	20	-3	-1	-1.5	-3	50	60	75	90
TSM2303CX	Trench	P-Channel	-30	20	-1.3	-1	-	-3	150	180	250	300
TSM9434CS	Trench	P-Channel	-20	8	-6.4	-0.4	-	-1	-	-	31	40
TSM2323CX	Trench	P-Channel	-20	8	-4.7	-0.4	-	-1	-	-	31	39
TSM2311CX	Trench	P-Channel	-20	8	-4	-0.6	-	-1.4	-	-	45	55
TSM2305CX	Trench	P-Channel	-20	8	-3.2	-0.45	-0.7	-1	-	-	44	55
TSM2301BCX	Trench	P-Channel	-20	8	-2.8	-0.45	-	-0.95	-	-	80	100
TSM2301CX	Trench	P-Channel	-20	8	-2.8	-0.45	-	-0.95	-	-	85	130
TSM160P02CS	Trench	P-Channel	-20	10	-11	-0.3	-0.6	-1	-	-	12	16
TSM260P02CX6	Trench	P-Channel	-20	10	-6.5	-0.3	-0.6	-1	-	-	21	26
TSM260P02CX	Trench	P-Channel	-20	10	-6.5	-0.3	-0.6	-1	-	-	21	26
TSM500P02CX	Trench	P-Channel	-20	10	-4.7	-0.3	-0.6	-0.8	-	-	42	50
TSM650P02CX	Trench	P-Channel	-20	10	-4.1	-0.4	-0.6	-0.8	-	-	52	65
TSM3443CX6	Trench	P-Channel	-20	12	-4.7	-0.5	-	-1.4	-	-	48	60
TSM2301ACX	Trench	P-Channel	-20	12	-2.8	-0.6	-0.7	-1	-	-	90	130
TSM301K12CQ	Trench	P-Channel Integrated Schottky	-20	12	-4.5	-0.5	-	-	-	-	-	94

R _{DS(ON)}				Qg (nC)		Q _{gs} (nC)	Q _{gd} (nC)	C _{iss} (pF)	C _{oss} (pF)	C _{rss} (pF)	Package Description
@ 2.5V		@ 1.8V		@ 10V	@ 4.5V						
Typ. (mΩ)	Max. (mΩ)	Typ. (mΩ)	Max. (mΩ)								
-	-	-	-	3.2	16	5.8	8.6	1,573	319	211	SOP-8
-	-	-	-	22	-	6.5	3.3	1,048	172.8	115.5	SOT-26
-	-	-	-	27	-	3.4	1.7	552	91	60.8	SOP-8
-	-	-	-	27	-	3.4	1.7	552	91	60.8	SOT-26
-	-	-	-	-	5.1	2	2.2	560	55	40	SOP-8
-	-	-	-	10	5	1.9	2	565	126	75	SOT-23
-	-	-	-	2.7	13	3.4	1.7	552	91	60.8	SOT-23
-	-	-	-	-	3.2	1.9	2	565	126	75	SOT-23
45	60	-	-	-	12	1.7	3.3	1,020	191	140	SOP-8
41	52	54	68	-	12.5	1.7	3.3	1,020	191	140	SOT-23
75	85	-	-	-	6	1.4	1.9	640	180	90	SOT-23
65	80	90	130	10	5	0.7	4	990	125	100	SOT-23
110	150	150	190	-	4.5	0.85	1.7	415	223	87	SOT-23
122	190	-	-	-	4.5	0.8	1.1	447	127	80	SOT-23
16	22	21	28	-	27	2.4	5.3	2,320	280	175	SOP-8
26	32	32	40	-	19.5	2	3.6	1,670	220	120	SOT-26
26	32	32	40	-	19.5	2	3.6	1,670	220	120	SOT-23
57	65	75	85	-	9.6	1.6	2	850	70	55	SOT-23
73	85	105	130	-	6.4	0.9	1.6	515	55	20	SOT-23
80	100	-	-	-	6	1.4	1.9	640	180	90	SOT-26
120	190	-	-	-	4.5	2.2	1.2	480	460	10	SOT-23
-	131	-	185	-	4.5	1.36	0.6	5	9.7	19	TDFN 2x2

MOSFETS - SINGLE N CHANNEL

MOSFETS - SINGLE N CHANNEL

(T_A=25°C unless otherwise noted)

Part Number	Technology	Type	V _{DS} (V)	V _{GS} ± (V)	I _D Max. (A)	V _{GS(th)}			R _{DS(ON)}			
						Min. (V)	Typ. (V)	Max. (V)	@ 10V		@ 4.5V	
						Typ. (mΩ)	Max. (mΩ)	Typ. (mΩ)	Max. (mΩ)			
TSM2302CX	Trench	N-Channel	20	8	3.9	0.65	0.9	1.2	-	-	34	65
TSM2312CX	Trench	N-Channel	20	8	4.9	0.45	0.65	1	-	-	27	33
TSM4424CS	Trench	N-Channel	20	8	8	-	0.65	1	-	-	23	30
TSM4806CS	Trench	N-Channel	20	8	28	0.3	0.6	1	-	-	16	20
TSM250N02CX	Trench	N-Channel	20	10	5.8	0.4	0.6	0.8	-	-	20	25
TSM210N02CX	Trench	N-Channel	20	10	6.7	0.3	0.6	0.8	-	-	19	21
TSM2314CX	Trench	N-Channel	20	12	4.9	0.6	0.85	1.2	-	-	27	33
TSM3446CX6	Trench	N-Channel	20	12	5.3	0.5	0.87	1	-	-	27	33
TSM320N03CX	Trench	N-Channel	30	12	5.5	0.4	0.75	0.9	-	-	27	32
TSM2306CX	Trench	N-Channel	30	20	3.5	1	-	3	-	-	46	57

R _{DS(ON)}				Qg (nC)		Q _{gs} (nC)	Q _{gd} (nC)	C _{iss} (pF)	C _{oss} (pF)	C _{rss} (pF)	Package Description
@ 2.5V		@ 1.8V		@ 10V	@ 4.5V						
Typ. (mΩ)	Max. (mΩ)	Typ. (mΩ)	Max. (mΩ)								
45	95	-	-	-	5	1	2.5	587	94	64	SOT-23
33	40	42	51	-	11.2	1.5	2.1	500	300	140	SOT-23
25	35	35	45	-	11.2	1.4	2.2	500	300	140	SOP-8
20	25	25	31	-	12.3	1.95	3.08	961	92.3	80.4	SOP-8
27	35	39	55	-	7.7	0.9	2.4	535	60	34	SOT-23
22	25	26	32	-	5.8	0.6	2	600	70	45	SOT-23
33	40	80	100	-	11	1.5	2.1	900	140	100	SOT-23
33	40	-	-	-	8.8	0.72	4.3	700	125	110	SOT-26
32	40	-	-	-	8.9	1.5	2	792	53	21	SOT-23
70	94	-	-	-	5.5	1.9	1.4	555	120	60	SOT-23

MOSFETS - SINGLE N CHANNEL

MOSFETS - SINGLE N CHANNEL

Part Number	Technology	Type	V _{DS} (V)	V _{GS} ± (V)	I _D Max. (A)	V _{GS(th)}			R _{DS(ON)}			
						Min. (V)	Typ. (V)	Max. (V)	@ 10V		@ 4.5V	
						Typ. (mΩ)	Max. (mΩ)	Typ. (mΩ)	Max. (mΩ)			
TSM05N03CW	Trench	N-Channel	30	20	5	1	-	3	46	60	70	90
TSM3404CX	Trench	N-Channel	30	20	5.8	1	1.4	3	23	30	35	43
TSM240N03CX	Trench	N-Channel	30	20	6.5	1.2	1.4	2.5	17	24	22	34
TSM240N03CX6	Trench	N-Channel	30	20	6.5	1.2	1.4	2.5	17	24	22	34
TSM180N03CS	Trench	N-Channel	30	20	9	1.2	1.6	2	16	18	23	28
TSM500N03CP	Trench	N-Channel	30	20	12.5	1	1.7	3	40	50	65	80
TSM180N03PQ33	Trench	N-Channel	30	20	25	1.2	1.6	2.5	14	18	20	28
TSM042N03CS	Trench	N-Channel	30	20	30	1.2	1.6	2.5	3.8	4.2	5.2	6.0
TSM120NA03CR	Trench	N-Channel	30	20	39	1.2	1.9	2.5	8.3	11.7	11.9	14.9
TSM090N03CP	Trench	N-Channel	30	20	50	1	1.6	2.5	7.5	9	10	13
TSM090N03ECP	Trench	N-Channel	30	20	50	1.2	1.6	2.5	7.5	9	9.6	14
TSM085N03PQ33	Trench	N-Channel	30	20	52	1	1.6	2.5	6.2	8.5	9	13
TSM080N03EPQ56	Trench	N-Channel	30	20	55	1	1.6	2.5	6.5	8	9.5	12.5
TSM088NA03CR	Trench	N-Channel	30	20	61	1.2	1.9	2.5	6.5	8.8	9.5	11.4
TSM060N03PQ33	Trench	N-Channel	30	20	62	1.2	1.6	2.5	4.8	6.0	6.7	9.0
TSM061NA03CV	Trench	N-Channel	30	20	66	1.2	1.9	2.5	4.8	6.1	6.7	8.1
TSM060N03CP	Trench	N-Channel	30	20	70	1	1.6	2.5	4.8	6	6.5	9
TSM060N03ECP	Trench	N-Channel	30	20	70	1	1.6	2.5	4.8	6	6.5	9
TSM080N03PQ56	Trench	N-Channel	30	20	73	1	1.6	2.5	6.5	8	9.5	12.5
TSM038N03PQ33	Trench	N-Channel	30	20	80	1.2	1.6	2.5	2.9	3.8	4.3	5.5
TSM055N03EPQ56	Trench	N-Channel	30	20	80	1.2	1.6	2.5	4.5	5.5	6.3	8.5
TSM055N03PQ56	Trench	N-Channel	30	20	80	1.2	1.6	2.5	4.5	5.5	6.3	8.5
TSM061NA03CR	Trench	N-Channel	30	20	88	1.2	1.8	2.5	5.2	6.1	7	8
TSM040N03CP	Trench	N-Channel	30	20	90	1.2	1.6	2.5	3.1	4	4.5	6
TSM045NA03CR	Trench	N-Channel	30	20	108	1.2	2	2.5	3.6	4.5	5.5	6.3
TSM036N03PQ56	Trench	N-Channel	30	20	124	1.2	1.6	2.5	3	3.6	4	5.5
TSM033NA03CR	Trench	N-Channel	30	20	129	1.2	1.6	2.5	2.7	3.3	3.6	4.4
TSM026NA03CR	Trench	N-Channel	30	20	168	1.2	1.65	2.5	1.9	2.6	2.5	3.3
TSM018NA03CR	Trench	N-Channel	30	20	185	1.2	1.7	2.5	1.5	1.8	2.1	2.4
TSM015NA03CR	Trench	N-Channel	30	20	205	1.2	1.8	2.5	1.3	1.5	1.8	2
TSM2318CX	Trench	N-Channel	40	20	3.9	1	-	3	36	45	50	62.5
TSM070NA04LCR	Trench	N-Channel	40	20	91	1.2	1.6	2.5	4.5	7	5.7	8.9
TSM033NA04LCR	Trench	N-Channel	40	20	141	1.2	1.7	2.5	2.3	3.3	3.3	4.4
TSM020N04LCR	Trench	N-Channel	40	20	170	1	1.5	2.5	1.5	2	1.8	2.6
TSM024NA04LCR	Trench	N-Channel	40	20	170	1.2	1.7	2.5	1.8	2.4	2.2	3
TSM2N7000KCT	Trench	N-Channel	60	20	0.3	1	-	2.5	3,000	5,000	3,600	5,500
TSM2N7002KCX	Trench	N-Channel	60	20	0.3	1	1.5	2.5	1,200	2,000	2,000	4,000
TSM2308CX	Trench	N-Channel	60	20	3	1.2	-	2.5	130	156	160	192
TSM850N06CX	Trench	N-Channel	60	20	3	1.2	1.8	2.5	68	85	80	100
TSM900N06CW	Trench	N-Channel	60	20	5	1.2	1.8	2.5	76	90	87	100
TSM4436CS	Trench	N-Channel	60	20	8	1	-	3	30	36	35	43
TSM10N06CP	Trench	N-Channel	60	20	10	1	-	3	-	65	-	80
TSM900N06CH	Trench	N-Channel	60	20	11	1.2	1.8	2.5	76	90	87	100
TSM900N06CP	Trench	N-Channel	60	20	11	1.2	1.8	2.5	76	90	87	100

R _{DS(ON)}				Q _g (nC)		Q _{gs} (nC)	Q _{gd} (nC)	C _{iss} (pF)	C _{oss} (pF)	C _{rss} (pF)	Package Description
@ 2.5V		@ 1.8V		@ 10V	@ 4.5V						
Typ. (mΩ)	Max. (mΩ)	Typ. (mΩ)	Max. (mΩ)								
-	-	-	-	-	-	1.9	1.4	555	120	60	SOT-223
-	-	-	-	13.8	-	1.2	1.7	401	100.5	71.8	SOT-23
-	-	-	-	-	4.1	1	2.1	345	55	32	SOT-23
-	-	-	-	-	4.1	1	2.1	345	55	32	SOT-26
-	-	-	-	-	4.1	1	2.1	345	55	32	SOP-8
-	-	-	-	-	7	1.6	2.4	270	70	50	TO-252 (D-PAK)
-	-	-	-	-	4.1	1	2.1	345	55	32	PDFN33
-	-	-	-	-	24	4.2	13	2,200	280	177	SOP-8
-	-	-	-	9.2	4.5	1.9	1.7	562	144	50	PDFN56
-	-	-	-	-	7.5	1.3	4.5	750	150	110	TO-252 (D-PAK)
-	-	-	-	-	7.7	1.9	2.8	680	150	70	TO-252 (D-PAK)
-	-	-	-	14.3	7.2	2.6	3.4	817	155	96	PDFN33
-	-	-	-	-	7.5	1.3	4.5	750	150	110	PDFN56
-	-	-	-	12.6	6.3	2.4	2.3	750	190	78	PDFN56
-	-	-	-	25.4	12.9	3.8	5.7	1,342	227	169	PDFN33
-	-	-	-	19.3	9.6	4	3.7	1,136	273	106	PDFN33
-	-	-	-	-	11.1	1.85	6.8	1,160	200	180	TO-252 (D-PAK)
-	-	-	-	-	11.1	1.85	6.8	1,210	190	100	TO-252 (D-PAK)
-	-	-	-	14.4	7.2	2.6	3.3	843	157	95	PDFN56
-	-	-	-	-	24	4.2	13	2,200	280	177	PDFN33
-	-	-	-	-	11.1	1.85	6.8	1,210	190	100	PDFN56
-	-	-	-	-	11.1	1.85	6.8	1,160	200	180	PDFN56
-	-	-	-	19	9.3	3.7	3.6	1,133	276	96	PDFN56
-	-	-	-	-	24	4.2	13	2,200	280	177	TO-252 (D-PAK)
-	-	-	-	19	9	4	3.7	1,194	421	97	PDFN56
-	-	-	-	50	25	7.3	12	2,530	376	249	PDFN56
-	-	-	-	31	16	5.6	5.5	1,850	418	189	PDFN56
-	-	-	-	41	21	7	6.5	2,540	600	200	PDFN56
-	-	-	-	56	28	9.9	10.4	3,479	835	223	PDFN56
-	-	-	-	67	33	12	13	4,243	1,014	252	PDFN56
-	-	-	-	10	-	1.6	2.1	540	80	45	SOT-23
-	-	-	-	23.5	11.5	4.3	3.8	1,469	317	80	PDFN56
-	-	-	-	47	23	10	8	3,130	670	137	PDFN56
-	-	-	-	150	76	21	32	7,942	768	498	PDFN56
-	-	-	-	67	33	12	11	4,224	696	206	PDFN56
-	-	-	-	-	0.4	-	-	7	3.42	7.63	TO-92
-	-	-	-	-	0.4	-	-	30	6	2.5	SOT-23
-	-	-	-	-	4.3	1.31	1.78	511	38	25	SOT-23
-	-	-	-	9.5	4.6	1.9	1.6	529	29	3	SOT-23
-	-	-	-	9.3	-	2.1	1.8	500	45	16	SOT-223
-	-	-	-	-	10.5	3.5	4.2	1,100	90	55	SOP-8
-	-	-	-	-	10.5	3.5	4.2	1,100	90	55	TO-252 (D-PAK)
-	-	-	-	9.3	-	2.1	1.8	500	45	16	TO-251S (I-PAK SL)
-	-	-	-	9.3	-	2.1	1.8	500	45	16	TO-252 (D-PAK)

MOSFETS - SINGLE N CHANNEL

MOSFETS - SINGLE N CHANNEL

Part Number	Technology	Type	V _{DS} (V)	V _{GS} ± (V)	I _D Max. (A)	V _{GS(th)}			R _{DS(ON)}			
						Min. (V)	Typ. (V)	Max. (V)	@ 10V		@ 4.5V	
						Typ. (mΩ)	Max. (mΩ)	Typ. (mΩ)	Max. (mΩ)			
TSM120N06LCS	Trench	N-Channel	60	20	23	1.2	1.7	2.5	10.4	12	11.9	15
TSM340N06CH	Trench	N-Channel	60	20	25	1.2	1.7	2.5	28	34	33	40
TSM340N06CP	Trench	N-Channel	60	20	25	1.2	1.7	2.5	28	34	33	40
TSM230N06CP	Trench	N-Channel	60	20	34	1.2	1.8	2.5	20	23	23	28
TSM170N06CH	Trench	N-Channel	60	20	38	1.2	1.7	2.5	15	17	17.5	20
TSM170N06CP	Trench	N-Channel	60	20	38	1.2	1.7	2.5	15	17	17.5	20
TSM230N06PQ56	Trench	N-Channel	60	20	39	1.2	1.8	2.5	20	23	23	28
TSM170N06PQ56	Trench	N-Channel	60	20	44	1.2	1.8	2.5	12	17	14	20
TSM120N06LCR	Trench	N-Channel	60	20	54	1.2	1.7	2.5	9.6	12	11	15
TSM60N06CP	Trench	N-Channel	60	20	62	2	3	4	6.3	7.3	-	-
TSM120N06LCP	Trench	N-Channel	60	20	70	1.2	1.7	2.5	9.7	12	11	15
TSM100N06CZ	Trench	N-Channel	60	20	100	2	3	4	5.7	6.7	-	-
TSM210N06CZ	Trench	N-Channel	60	20	210	2	-	4	2.6	3.1	-	-
TSM052N06PQ56	Trench	N-Channel	60	25	92	2	3	4	4.2	5.2	-	-
TSM80N08CZ	Trench	N-Channel	75	20	80	2	3	4	6	8	-	-
TSM190N08CZ	Trench	N-Channel	75	20	190	2	3	4	3.4	4.2	-	-
TSM089N08LCR	Trench	N-Channel	80	20	67	1	1.9	2.5	6.4	8.9	8	11
TSM2328CX	Trench	N-Channel	100	20	1.5	1	-	2.5	-	250	-	-
TSM950N10CW	Trench	N-Channel	100	20	6.5	1.2	1.6	2.5	80	95	85	110
TSM900N10CH	Trench	N-Channel	100	20	15	1.2	1.6	2.5	72	90	75	100
TSM900N10CP	Trench	N-Channel	100	20	15	1.2	1.6	2.5	72	90	75	100
TSM35N10CP	Trench	N-Channel	100	20	32	1	2	3	30	37	32	42
TSM160N10LCR	Trench	N-Channel	100	20	46	1.2	1.9	2.5	14	16	16	20
TSM120N10PQ56	Trench	N-Channel	100	20	58	2	3	4	10	12	-	-
TSM70N10CH	Trench	N-Channel	100	20	70	2	3	4	10	13	-	-
TSM70N10CP	Trench	N-Channel	100	20	70	2	3	4	10	13	-	-
TSM85N10CZ	Trench	N-Channel	100	20	81	2	3	4	9	10	-	-
TSM160N10CZ	Trench	N-Channel	100	20	160	2	3	4	4.5	5.5	-	-
TSM650N15CS	Trench	N-Channel	150	20	9	2	2.7	4	51	65	-	-
TSM650N15CR	Trench	N-Channel	150	20	24	2	2.7	4	47	65	-	-
TSM600N25ECH	Planar	N-Channel	250	30	8	3	-	5	500	600	-	-
TSM600N25ECP	Planar	N-Channel	250	30	8	3	-	5	500	600	-	-
TSM1N45CT	Planar	N-Channel	450	30	0.5	2.3	3	3.7	3,400	4,250	-	-
TSM1N45CW	Planar	N-Channel	450	30	0.5	2.3	3	3.7	3,400	4,250	-	-
TSM4NC50CP	Planar	N-Channel	500	20	4	2	2.2	3	2,400	2,700	-	-
TSM5NC50CF	Planar	N-Channel	500	30	5	2.5	3.3	4.5	1,100	1,380	-	-
TSM5NC50CP	Planar	N-Channel	500	30	5	2.5	3.3	4.5	1,200	1,380	-	-
TSM6N50CH	Planar	N-Channel	500	30	5.6	2	-	4	1,150	1,400	-	-
TSM6N50CP	Planar	N-Channel	500	30	5.6	2	-	4	1,150	1,400	-	-
TSM8N50CH	Planar	N-Channel	500	30	7.2	2	3	4	700	850	-	-
TSM8N50CP	Planar	N-Channel	500	30	7.2	2	3	4	700	850	-	-
TSM13N50ACI	Planar	N-Channel	500	30	13	2	-	4	380	480	-	-
TSM13N50ACZ	Planar	N-Channel	500	30	13	2	-	4	380	480	-	-
TSM15N50CI	Planar	N-Channel	500	30	14	2	-	4	350	440	-	-

R _{DS(ON)}				Q _g (nC)		Q _{gs} (nC)	Q _{gd} (nC)	C _{iss} (pF)	C _{oss} (pF)	C _{rss} (pF)	Package Description
@ 2.5V		@ 1.8V		@ 10V	@ 4.5V						
Typ. (mΩ)	Max. (mΩ)	Typ. (mΩ)	Max. (mΩ)								
-	-	-	-	37	19	6	8	2,193	208	88	SOP-8
-	-	-	-	16.6	-	2.2	3.9	1,180	68	45	TO-251S (I-PAK SL)
-	-	-	-	16.6	-	2.2	3.9	1,180	68	45	TO-252 (D-PAK)
-	-	-	-	28	-	3.5	6.5	1,680	115	85	TO-252 (D-PAK)
-	-	-	-	28.5	13.5	5.5	5	900	130	90	TO-251 (I-PAK)
-	-	-	-	28.5	13.5	5.5	5	900	130	90	TO-252 (D-PAK)
-	-	-	-	28	-	3.5	6.5	1,680	115	85	PDFN56
-	-	-	-	29	14	5	7	1,556	105	45	PDFN56
-	-	-	-	36.5	18	6	7.5	2,116	136	85	PDFN56
-	-	-	-	81	-	23	24	4,382	668	339	TO-252 (D-PAK)
-	-	-	-	37	18	6	7.5	2,118	136	86	TO-252 (D-PAK)
-	-	-	-	92	-	23	24	4,382	668	339	TO-220
-	-	-	-	160	-	35	40	7,900	780	30	TO-220
-	-	-	-	50	-	15	2.5	3,686	357	124	PDFN56
-	-	-	-	91.5	-	34	19.9	3,905	371	203	TO-220
-	-	-	-	160	-	35	40	8,600	780	300	TO-220
-	-	-	-	90	45	16	23	6,119	304	116	PDFN56
-	-	-	-	-	12	4.4	3	975	38	27	SOT-23
-	-	-	-	9.3	-	2.1	1.8	1,480	480	35	SOT-223
-	-	-	-	9.3	-	2.1	1.8	1,480	480	35	TO-251S (I-PAK SL)
-	-	-	-	9.3	-	2.1	1.8	1,480	480	35	TO-252 (D-PAK)
-	-	-	-	34	-	6	9	1,598	132	45	TO-252 (D-PAK)
-	-	-	-	73	36	17	15	4,431	158	45	PDFN56
-	-	-	-	145	-	25	43	3,902	251	92	PDFN56
-	-	-	-	145	-	25	43	4,300	300	120	TO-251S (I-PAK SL)
-	-	-	-	145	-	25	43	4,300	300	120	TO-252 (D-PAK)
-	-	-	-	154	-	4	45	3,900	300	170	TO-220
-	-	-	-	154	-	35	40	9,840	750	260	TO-220
-	-	-	-	37	-	9	12	1,783	94	18	SOP-8
-	-	-	-	36	-	10	12	1,829	94	65	PDFN56
-	-	-	-	8.4	-	1.9	4	423	74	12	TO-251 (I-PAK)
-	-	-	-	8.4	-	1.9	4	423	74	12	TO-252 (D-PAK)
-	-	-	-	6.5	-	1.3	3.2	235	29	6.5	TO-92
-	-	-	-	6.5	-	1.3	3.2	235	29	6.5	SOT-223
-	-	-	-	12	-	2.2	4.4	453	27	1	TO-252 (D-PAK)
-	-	-	-	15	-	4	7	586	45	1	ITO-220S
-	-	-	-	15	-	4	7	586	45	1	TO-252 (D-PAK)
-	-	-	-	25	-	5	10	680	85	15	TO-251 (I-PAK)
-	-	-	-	25	-	5	10	680	85	15	TO-252 (D-PAK)
-	-	-	-	26.6	-	5.4	6.82	1,595	127.4	14.5	TO-251 (I-PAK)
-	-	-	-	26.6	-	5.4	6.82	1,595	127.4	14.5	TO-252 (D-PAK)
-	-	-	-	31	-	11	7	1,965	185	11	ITO-220
-	-	-	-	31	-	11	7	1,965	185	11	TO-220
-	-	-	-	39	-	11	8.6	2,263	211	6.4	ITO-220

MOSFETS - SINGLE N CHANNEL

MOSFETS - SINGLE N CHANNEL

Part Number	Technology	Type	V _{DS} (V)	V _{GS} ± (V)	I _D Max. (A)	V _{GS(th)}			R _{DS(ON)}			
						Min. (V)	Typ. (V)	Max. (V)	@ 10V		@ 4.5V	
						Typ. (mΩ)	Max. (mΩ)	Typ. (mΩ)	Max. (mΩ)			
TSM15N50CZ	Planar	N-Channel	500	30	14	2	-	4	350	440	-	-
TSM126CX	Planar	N-Channel	600	20	0.03	-2.7	-1.8	-1	400,000	800,000	-	-
TSM1NB60SCT	Planar	N-Channel	600	30	0.5	2.5	3.5	4.5	8,000	10,000	-	-
TSM2N60SCW	Planar	N-Channel	600	30	0.6	2	-	4	3,600	5,000	-	-
TSM1NB60CH	Planar	N-Channel	600	30	1	2.5	-	4.5	8,000	10,000	-	-
TSM1NB60CP	Planar	N-Channel	600	30	1	2.5	-	4.5	8,000	10,000	-	-
TSM1NB60CW	Planar	N-Channel	600	30	1	2.5	-	4.5	8,000	10,000	-	-
TSM2N60ECH	Planar	N-Channel	600	30	2	3	-	5	3,200	4,000	-	-
TSM2N60ECP	Planar	N-Channel	600	30	2	3	-	5	3,200	4,000	-	-
TSM2NB60CH	Planar	N-Channel	600	30	2	2.5	3.6	4.5	3,900	4,400	-	-
TSM2NB60CP	Planar	N-Channel	600	30	2	2.5	3.6	4.5	3,900	4,400	-	-
TSM60NB1R4CH	Super Junction G2	N-Channel	600	30	3	2	3.3	4	1,000	1,400	-	-
TSM60NB1R4CP	Super Junction G2	N-Channel	600	30	3	2	3.3	4	1,000	1,400	-	-
TSM60N1R4CH	Super Junction	N-Channel	600	30	3.3	2	-	4	880	1,400	-	-
TSM60N1R4CP	Super Junction	N-Channel	600	30	3.3	2	-	4	880	1,400	-	-
TSM4N60ECH	Planar	N-Channel	600	30	4	-	3	5	2,000	2,500	-	-
TSM4N60ECP	Planar	N-Channel	600	30	4	-	3	5	2,000	2,500	-	-
TSM4NB60CH	Planar	N-Channel	600	30	4	2.5	3.5	4.5	2,200	2,500	-	-
TSM4NB60CI	Planar	N-Channel	600	30	4	2.5	-	4.5	2,200	2,500	-	-
TSM4NB60CP	Planar	N-Channel	600	30	4	2.5	-	4.5	2,200	2,500	-	-
TSM4NB60CZ	Planar	N-Channel	600	30	4	2.5	-	4.5	2,200	2,500	-	-
TSM4NC60CI	Planar	N-Channel	600	30	4	2	2.9	4	2,000	2,500	-	-
TSM60NB900CH	Super Junction G2	N-Channel	600	30	4	2	3.3	4	690	900	-	-
TSM60NB900CP	Super Junction G2	N-Channel	600	30	4	2	3.3	4	690	900	-	-
TSM60N900CH	Super Junction	N-Channel	600	30	4.5	2	3	4	720	900	-	-
TSM60N900CI	Super Junction	N-Channel	600	30	4.5	2	3	4	720	900	-	-
TSM60N900CP	Super Junction	N-Channel	600	30	4.5	2	3	4	720	900	-	-
TSM60N750CH	Super Junction	N-Channel	600	30	6	2	3	4	530	750	-	-
TSM60N750CP	Super Junction	N-Channel	600	30	6	2	3	4	530	750	-	-
TSM6N60CH	Planar	N-Channel	600	30	6	2	2.75	4	1,100	1,250	-	-
TSM6N60CP	Planar	N-Channel	600	30	6	2	2.75	4	1,100	1,250	-	-
TSM6NB60CI	Planar	N-Channel	600	30	6	2.5	3.6	4.5	1,120	1,600	-	-
TSM6NB60CZ	Planar	N-Channel	600	30	6	2.5	3.6	4.5	1,120	1,600	-	-
TSM60NB600CH	Super Junction G2	N-Channel	600	30	7	2	3.4	4	450	600	-	-
TSM60NB600CP	Super Junction G2	N-Channel	600	30	7	2	3.4	4	450	600	-	-
TSM7NC60CF	Planar	N-Channel	600	30	7	2.5	3.5	4.5	1,070	1,200	-	-
TSM60NB600CF	Super Junction G2	N-Channel	600	30	7	2	3.4	4	450	600	-	-
TSM60N600CH	Super Junction	N-Channel	600	30	8	2	3	4	490	600	-	-
TSM60N600CI	Super Junction	N-Channel	600	30	8	2	3	4	490	600	-	-
TSM60N600CP	Super Junction	N-Channel	600	30	8	2	3	4	490	600	-	-
TSM60NB380CH	Super Junction G2	N-Channel	600	30	9.5	2	3	4	260	380	-	-
TSM60NB380CP	Super Junction G2	N-Channel	600	30	9.5	2	3	4	260	380	-	-
TSM10NB60CI	Planar	N-Channel	600	30	10	2	-	4	650	750	-	-
TSM10NC60CF	Planar	N-Channel	600	30	10	2.5	3.4	4.5	670	750	-	-

R _{DS(ON)}				Q _g (nC)		Q _{gs} (nC)	Q _{gd} (nC)	C _{iss} (pF)	C _{oss} (pF)	C _{rss} (pF)	Package Description
@ 2.5V		@ 1.8V		@ 10V	@ 4.5V						
Typ. (mΩ)	Max. (mΩ)	Typ. (mΩ)	Max. (mΩ)								
-	-	-	-	39	-	11	8.6	2,263	211	6.4	TO-220
-	-	-	-	-	1.18	0.49	0.365	51	4.48	1.12	SOT-23
-	-	-	-	6.1	-	1.4	3.3	138	17.1	4.2	TO-92
-	-	-	-	13	-	2	6	435	56	9.2	SOT-223
-	-	-	-	6.1	-	1.4	3.3	138	17.1	4.2	TO-251 (I-PAK)
-	-	-	-	6.1	-	1.4	3.3	138	17.1	4.2	TO-252 (D-PAK)
-	-	-	-	6.1	-	1.4	3.3	138	17.1	4.2	SOT-223
-	-	-	-	9.5	-	2.1	3.9	362	40	7.2	TO-251 (I-PAK)
-	-	-	-	9.5	-	2.1	3.9	362	40	7.2	TO-252 (D-PAK)
-	-	-	-	9.5	-	2.2	4.7	249	30.7	5	TO-251 (I-PAK)
-	-	-	-	9.5	-	2.2	4.7	249	30.7	5	TO-252 (D-PAK)
-	-	-	-	7.12	-	3.52	1.62	257.3	41.5	-	TO-251 (I-PAK)
-	-	-	-	7.12	-	3.52	1.62	257.3	41.5	-	TO-252 (D-PAK)
-	-	-	-	7.7	-	1.9	2.8	370	34	-	TO-251 (I-PAK)
-	-	-	-	7.7	-	1.9	2.8	370	34	-	TO-252 (D-PAK)
-	-	-	-	12	-	3	6	545	61	10	TO-251 (I-PAK)
-	-	-	-	12	-	3	6	545	61	10	TO-252 (D-PAK)
-	-	-	-	14.5	-	3.4	7	500	53.2	7	TO-251S (I-PAK SL)
-	-	-	-	14.5	-	3.4	7	500	53.2	7	ITO-220
-	-	-	-	14.5	-	3.4	7	500	53.2	7	TO-252 (D-PAK)
-	-	-	-	14.5	-	3.4	7	500	53.2	7	TO-220
-	-	-	-	18	-	3.4	7.5	654	37	1	ITO-220
-	-	-	-	9.6	-	2	4.5	315	46.4	-	TO-251 (I-PAK)
-	-	-	-	9.6	-	2	4.5	315	46.4	-	TO-252 (D-PAK)
-	-	-	-	9.7	-	2.3	3.6	480	36	-	TO-251 (I-PAK)
-	-	-	-	9.7	-	2.3	3.6	480	36	-	ITO-220
-	-	-	-	9.7	-	2.3	3.6	480	36	-	TO-252 (D-PAK)
-	-	-	-	10.8	-	2.7	3.7	554	46	-	TO-251 (I-PAK)
-	-	-	-	10.8	-	2.7	3.7	554	46	-	TO-252 (D-PAK)
-	-	-	-	20.7	-	5.1	5.4	1,248	117	11.3	TO-251 (I-PAK)
-	-	-	-	20.7	-	5.1	5.4	1,248	117	11.3	TO-252 (D-PAK)
-	-	-	-	18.3	-	5.26	6.84	872	104	15	ITO-220
-	-	-	-	18.3	-	5.26	6.84	872	104	15	TO-220
-	-	-	-	13	-	3.36	5.56	516	55	-	TO-251 (I-PAK)
-	-	-	-	13	-	3.36	5.56	516	55	-	TO-252 (D-PAK)
-	-	-	-	24	-	7.2	8.2	1,169	62	5	ITO-220S
-	-	-	-	13	-	3.36	5.56	516	55	-	ITO-220S
-	-	-	-	13	-	3	4	743	66	-	TO-251 (I-PAK)
-	-	-	-	13	-	3	4	743	66	-	ITO-220
-	-	-	-	13	-	3	4	743	66	-	TO-252 (D-PAK)
-	-	-	-	19.4	-	3.5	8.9	795	67	-	TO-251 (I-PAK)
-	-	-	-	19.4	-	3.5	8.9	795	67	-	TO-252 (D-PAK)
-	-	-	-	39	-	9	13	1,820	186	24	ITO-220
-	-	-	-	33	-	10	12	1,652	92	11	ITO-220S

MOSFETS - SINGLE N CHANNEL

MOSFETS - SINGLE N CHANNEL

Part Number	Technology	Type	V _{DS} (V)	V _{GS} ± (V)	I _D Max. (A)	V _{GS(th)}			R _{DS(ON)}			
						Min. (V)	Typ. (V)	Max. (V)	@ 10V		@ 4.5V	
						Typ. (mΩ)	Max. (mΩ)	Typ. (mΩ)	Max. (mΩ)			
TSM60N380CH	Super Junction	N-Channel	600	30	11	2	3	4	310	380	-	-
TSM60N380CI	Super Junction	N-Channel	600	30	11	2	3	4	310	380	-	-
TSM60N380CP	Super Junction	N-Channel	600	30	11	2	3	4	310	380	-	-
TSM60N380CZ	Super Junction	N-Channel	600	30	11	2	3.1	4	310	380	-	-
TSM60NB380CF	Super Junction G2	N-Channel	600	30	11	2	3.3	4	280	380	-	-
TSM60NB260CI	Super Junction G2	N-Channel	600	30	13	2	3	4	190	260	-	-
TSM60NB190CI	Super Junction G2	N-Channel	600	30	18	2	3	4	170	190	-	-
TSM60NB190CM2	Super Junction G2	N-Channel	600	30	18	2	3	4	170	190	-	-
TSM60NB190CZ	Super Junction G2	N-Channel	600	30	18	2	3	4	170	190	-	-
TSM2NB65CH	Planar	N-Channel	650	20	2	2	2.5	4	4,000	5,000	-	-
TSM2NB65CP	Planar	N-Channel	650	20	2	2	2.5	4	4,000	5,000	-	-
TSM4NB65CH	Planar	N-Channel	650	30	4	2.5	3.6	4.5	2,700	3,370	-	-
TSM4NB65CI	Planar	N-Channel	650	30	4	2.5	3.6	4.5	2,700	3,370	-	-
TSM4NB65CP	Planar	N-Channel	650	30	4	2.5	3.6	4.5	2,700	3,370	-	-
TSM7N65ACI	Planar	N-Channel	650	30	7	2	3	4	1,200	1,450	-	-
TSM7NC65CF	Planar	N-Channel	650	30	7	2.5	3.6	4.5	1,200	1,350	-	-
TSM10NC65CF	Planar	N-Channel	650	30	10	2.5	3.4	4.5	750	900	-	-
TSM70NB1R4CP	Super Junction G2	N-Channel	700	30	3	2	3.5	4	1,100	1,400	-	-
TSM70N1R4CH	Super Junction	N-Channel	700	30	3.3	2	-	4	900	1,400	-	-
TSM70N1R4CP	Super Junction	N-Channel	700	30	3.3	2	-	4	900	1,400	-	-
TSM4N70CH	Planar	N-Channel	700	30	3.5	2	-	4	2,500	3,300	-	-
TSM4N70CI	Planar	N-Channel	700	30	3.5	2	-	4	2,500	3,300	-	-
TSM4N70CP	Planar	N-Channel	700	30	3.5	2	-	4	2,500	3,300	-	-
TSM70N900CH	Super Junction	N-Channel	700	30	4.5	2	3	4	830	900	-	-
TSM70N900CI	Super Junction	N-Channel	700	30	4.5	2	3	4	850	900	-	-
TSM70N900CP	Super Junction	N-Channel	700	30	4.5	2	3	4	830	900	-	-
TSM70N750CH	Super Junction	N-Channel	700	30	6	2	3	4	620	750	-	-
TSM70N750CP	Super Junction	N-Channel	700	30	6	2	3	4	620	750	-	-
TSM70N600CH	Super Junction	N-Channel	700	30	8	2	3	4	500	600	-	-
TSM70N600CI	Super Junction	N-Channel	700	30	8	2	3	4	500	600	-	-
TSM70N600CP	Super Junction	N-Channel	700	30	8	2	3	4	500	600	-	-
TSM8N70CI	Planar	N-Channel	700	30	8	2	-	4	750	900	-	-
TSM70N600ACL	Super Junction	N-Channel	700	30	8	2	2.9	4	530	600	-	-
TSM70N380CH	Super Junction	N-Channel	700	30	11	2	3	4	330	380	-	-
TSM70N380CI	Super Junction	N-Channel	700	30	11	2	3	4	330	380	-	-
TSM70N380CP	Super Junction	N-Channel	700	30	11	2	3	4	330	380	-	-
TSM1N80CW	Planar	N-Channel	800	30	0.3	3	-	5	18,000	21,600	-	-
TSM3N80CH	Planar	N-Channel	800	30	3	2	-	4	3,300	4,200	-	-
TSM3N80CI	Planar	N-Channel	800	30	3	2	-	4	3,300	4,200	-	-
TSM3N80CP	Planar	N-Channel	800	30	3	2	-	4	3,300	4,200	-	-
TSM3N80CZ	Planar	N-Channel	800	30	3	2	-	4	3,300	4,200	-	-
TSM4N80CI	Planar	N-Channel	800	30	4	2	-	4	2,500	3,000	-	-
TSM4N80CZ	Planar	N-Channel	800	30	4	2	-	4	2,500	3,000	-	-
TSM80N1R2CH	Super Junction	N-Channel	800	30	5.5	2	-	4	900	1,200	-	-

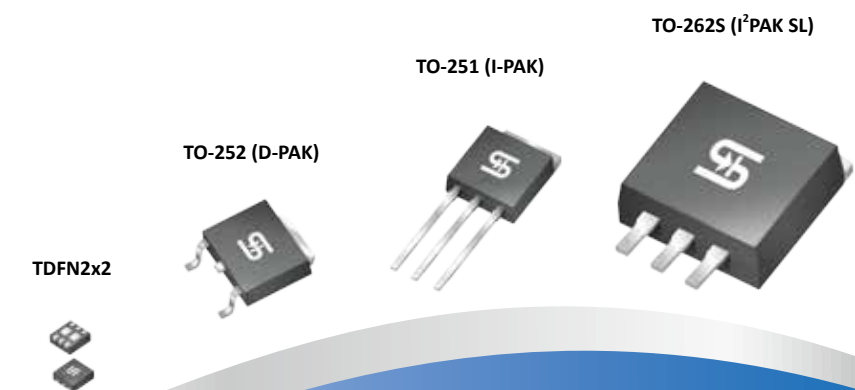
R _{DS(ON)}				Q _g (nC)		Q _{gs} (nC)	Q _{gd} (nC)	C _{iss} (pF)	C _{oss} (pF)	C _{rss} (pF)	Package Description
@ 2.5V		@ 1.8V		@ 10V	@ 4.5V						
Typ. (mΩ)	Max. (mΩ)	Typ. (mΩ)	Max. (mΩ)								
-	-	-	-	20.5	-	4.8	6.5	1,040	66	-	TO-251 (I-PAK)
-	-	-	-	20.5	-	4.8	6.5	1,040	66	-	ITO-220
-	-	-	-	20.5	-	4.8	6.5	1,040	66	-	TO-252 (D-PAK)
-	-	-	-	20.5	-	4.8	6.5	1,040	66	-	TO-220
-	-	-	-	21	-	5	9	810	39	1	ITO-220S
-	-	-	-	30	-	6.6	11.7	1,273	92	-	ITO-220
-	-	-	-	31	-	8	12.6	1,273	92	-	ITO-220
-	-	-	-	31	-	8	12.6	1,273	92	-	TO-263 (D ² -Pak)
-	-	-	-	31	-	8	12.6	1,273	92	-	TO-220
-	-	-	-	13	-	2.2	5	390	31	8	TO-251S (I-PAK SL)
-	-	-	-	13	-	2.2	5	390	31	8	TO-252 (D-PAK)
-	-	-	-	13.46	-	2.98	6.66	549	75	18	TO-251 (I-PAK)
-	-	-	-	13.46	-	2.98	6.66	549	75	18	ITO-220
-	-	-	-	13.46	-	2.98	6.66	549	75	18	TO-252 (D-PAK)
-	-	-	-	27.8	-	5.7	8.8	1,406	114	15	ITO-220
-	-	-	-	24	-	7.6	9.4	1,169	59	5	ITO-220S
-	-	-	-	34	-	11	13	1,650	91	11	ITO-220S
-	-	-	-	11	-	2.4	5.5	317	42	-	TO-252 (D-PAK)
-	-	-	-	7.7	-	1.9	2.8	370	34	-	TO-251 (I-PAK)
-	-	-	-	7.7	-	1.9	2.8	370	34	-	TO-252 (D-PAK)
-	-	-	-	14	-	3	6	595	80	20	TO-251 (I-PAK)
-	-	-	-	14	-	3	6	595	80	20	ITO-220
-	-	-	-	14	-	3	6	595	80	20	TO-252 (D-PAK)
-	-	-	-	9.7	-	2.9	3.5	482	34	-	TO-251 (I-PAK)
-	-	-	-	9.7	-	2.9	3.5	482	34	-	ITO-220
-	-	-	-	9.7	-	2.9	3.5	482	34	-	TO-252 (D-PAK)
-	-	-	-	10.7	-	2.8	3.5	555	39	-	TO-251 (I-PAK)
-	-	-	-	10.7	-	2.8	3.5	555	39	-	TO-252 (D-PAK)
-	-	-	-	12.6	-	2.9	4.5	743	63	-	TO-251 (I-PAK)
-	-	-	-	12.6	-	2.9	4.5	743	63	-	ITO-220
-	-	-	-	12.6	-	2.9	4.5	743	63	-	TO-252 (D-PAK)
-	-	-	-	32	-	9	8	2,006	148	13.7	ITO-220
-	-	-	-	12.6	-	2.9	4.5	743	63	-	TO-262S (I ² PAK SL)
-	-	-	-	18.8	-	3.7	5.6	981	58	-	TO-251 (I-PAK)
-	-	-	-	18.8	-	3.7	5.6	981	58	-	ITO-220
-	-	-	-	18.8	-	3.7	5.6	981	58	-	TO-252 (D-PAK)
-	-	-	-	6	-	1	2	155	20	2.7	SOT-223
-	-	-	-	19	-	4	7.6	696	65	10.2	TO-251 (I-PAK)
-	-	-	-	19	-	4	7.6	696	65	10.2	ITO-220
-	-	-	-	19	-	4	7.6	696	65	10.2	TO-252 (D-PAK)
-	-	-	-	19	-	4	7.6	696	65	10.2	TO-220
-	-	-	-	20	-	3.7	8.2	955	80	13	ITO-220
-	-	-	-	20	-	3.7	8.2	955	80	13	TO-220
-	-	-	-	19.4	-	3.4	9.6	685	62	-	TO-251 (I-PAK)

MOSFETS - SINGLE N CHANNEL

MOSFETS - SINGLE N CHANNEL

Part Number	Technology	Type	V _{DS} (V)	V _{GS} ± (V)	I _D Max. (A)	V _{GS(th)}			R _{DS(ON)}			
						Min. (V)	Typ. (V)	Max. (V)	@ 10V		@ 4.5V	
						Typ. (mΩ)	Max. (mΩ)	Typ. (mΩ)	Max. (mΩ)			
TSM80N1R2CI	Super Junction	N-Channel	800	30	5.5	2	-	4	900	1,200	-	-
TSM80N1R2CL	Super Junction	N-Channel	800	30	5.5	2	-	4	900	1,200	-	-
TSM80N1R2CP	Super Junction	N-Channel	800	30	5.5	2	-	4	900	1,200	-	-
TSM80N950CH	Super Junction	N-Channel	800	30	6	2	-	4	800	950	-	-
TSM80N950CI	Super Junction	N-Channel	800	30	6	2	-	4	800	950	-	-
TSM80N950CP	Super Junction	N-Channel	800	30	6	2	-	4	800	950	-	-
TSM8N80CI	Planar	N-Channel	800	30	8	2	-	4	1,100	1,400	-	-
TSM8N80CZ	Planar	N-Channel	800	30	8	2	-	4	1,100	1,400	-	-
TSM80N600CI	Super Junction	N-Channel	800	30	9	2	-	4	400	600	-	-
TSM10N80CI	Planar	N-Channel	800	30	9.5	2	-	4	900	1,050	-	-
TSM10N80CZ	Planar	N-Channel	800	30	9.5	2	-	4	900	1,050	-	-
TSM3N90CH	Planar	N-Channel	900	30	2.5	2	-	4	4,300	5,100	-	-
TSM3N90CI	Planar	N-Channel	900	30	2.5	2	-	4	4,300	5,100	-	-
TSM3N90CP	Planar	N-Channel	900	30	2.5	2	-	4	4,300	5,100	-	-
TSM3N90CZ	Planar	N-Channel	900	30	2.5	2	-	4	4,300	5,100	-	-
TSM4N90CI	Planar	N-Channel	900	30	4	2	-	4	3,200	4,000	-	-
TSM4N90CZ	Planar	N-Channel	900	30	4	2	-	4	3,200	4,000	-	-
TSM7N90CI	Planar	N-Channel	900	30	7	2	-	4	1,520	1,900	-	-
TSM7N90CZ	Planar	N-Channel	900	30	7	2	-	4	1,520	1,900	-	-
TSM9N90ECI	Planar	N-Channel	900	30	9	2	-	4	1,130	1,400	-	-
TSM9N90ECZ	Planar	N-Channel	900	30	9	2	-	4	1,130	1,400	-	-
TSM2N100CH	Planar	N-Channel	1,000	30	1.85	3.5	4.5	5.5	6,000	8,500	-	-
TSM2N100CP	Planar	N-Channel	1,000	30	1.85	3.5	4.5	5.5	6,000	8,500	-	-
TSM3N100CP	Planar	N-Channel	1,000	30	2.5	3.5	4.5	5.5	5,600	6,000	-	-

R _{DS(ON)}				Q _g (nC)		Q _{gs} (nC)	Q _{gd} (nC)	C _{iss} (pF)	C _{oss} (pF)	C _{rss} (pF)	Package Description
@ 2.5V		@ 1.8V		@ 10V	@ 4.5V						
Typ. (mΩ)	Max. (mΩ)	Typ. (mΩ)	Max. (mΩ)								
-	-	-	-	19.4	-	3.4	9.6	685	62	-	ITO-220
-	-	-	-	19.4	-	3.4	9.6	685	62	-	TO-262 (I ² PAK)
-	-	-	-	19.4	-	3.4	9.6	685	62	-	TO-252 (D-PAK)
-	-	-	-	19.6	-	3.5	9.7	691	63	-	TO-251 (I-PAK)
-	-	-	-	19.6	-	3.5	9.7	691	63	-	ITO-220
-	-	-	-	19.6	-	3.5	9.7	691	63	-	TO-252 (D-PAK)
-	-	-	-	41	-	10	11	1,921	146	12	ITO-220
-	-	-	-	41	-	10	11	1,921	146	12	TO-220
-	-	-	-	35	-	8.5	14.8	1,350	95	-	ITO-220
-	-	-	-	53	-	10	23	2,336	214	29	ITO-220
-	-	-	-	53	-	10	23	2,336	214	29	TO-220
-	-	-	-	17	-	2.4	6.6	748	55	8.7	TO-251 (I-PAK)
-	-	-	-	17	-	2.4	6.6	748	55	8.7	ITO-220
-	-	-	-	17	-	2.4	6.6	748	55	8.7	TO-252 (D-PAK)
-	-	-	-	17	-	2.4	6.6	748	55	8.7	TO-220
-	-	-	-	25	-	4.8	10.2	955	80	13	ITO-220
-	-	-	-	25	-	4.8	10.2	955	80	13	TO-220
-	-	-	-	49	-	7	20	1,969	133	11	ITO-220
-	-	-	-	49	-	7	20	1,969	133	11	TO-220
-	-	-	-	72	-	11	31	2,470	192	27	ITO-220
-	-	-	-	72	-	11	31	2,470	192	27	TO-220
-	-	-	-	17	-	5	9	625	38	15	TO-251 (I-PAK)
-	-	-	-	17	-	5	9	625	38	15	TO-252 (D-PAK)
-	-	-	-	19	-	6	10	664	40	17	TO-252 (D-PAK)



PHOTOCOUPPLERS

BIPOLAR TRANSISTORS - NPN

(T_A=25°C unless otherwise noted)

Part Number	CTR	Input IF	Input VR	Input P	Output V _{CE0}		Output I _c	Output P _c	P _{tot}	V _{iso}	Package Description
		(mA)	(V)	(mW)	(V)	(mA)	(mW)	(mW)	(Vrms)		
TPC816A	80-160	50	6	70	70	6	50	150	200	5,000	DIP-4
TPC816B	130-260	50	6	70	70	6	50	150	200	5,000	DIP-4
TPC816C	200-400	50	6	70	70	6	50	150	200	5,000	DIP-4
TPC816D	300-600	50	6	70	70	6	50	150	200	5,000	DIP-4
TPC816MA	80-160	50	6	70	70	6	50	150	200	5,000	DIP-4M
TPC816MB	130-260	50	6	70	70	6	50	150	200	5,000	DIP-4M
TPC816MC	200-400	50	6	70	70	6	50	150	200	5,000	DIP-4M
TPC816MD	300-600	50	6	70	70	6	50	150	200	5,000	DIP-4M
TPC816S1A	80-160	50	6	70	70	6	50	150	200	5,000	SOP-4
TPC816S1B	130-260	50	6	70	70	6	50	150	200	5,000	SOP-4
TPC816S1C	200-400	50	6	70	70	6	50	150	200	5,000	SOP-4
TPC816S1D	300-600	50	6	70	70	6	50	150	200	5,000	SOP-4
TPC817A	80-160	50	6	70	80	6	50	150	200	5,000	DIP-4
TPC817B	130-260	50	6	70	80	6	50	150	200	5,000	DIP-4
TPC817C	200-400	50	6	70	80	6	50	150	200	5,000	DIP-4
TPC817D	300-600	50	6	70	80	6	50	150	200	5,000	DIP-4
TPC817MA	80-160	50	6	70	80	6	50	150	200	5,000	DIP-4M
TPC817MB	130-260	50	6	70	80	6	50	150	200	5,000	DIP-4M
TPC817MC	200-400	50	6	70	80	6	50	150	200	5,000	DIP-4M
TPC817MD	300-600	50	6	70	80	6	50	150	200	5,000	DIP-4M
TPC817S1A	80-160	50	6	70	80	6	50	150	200	5,000	SOP-4
TPC817S1B	130-260	50	6	70	80	6	50	150	200	5,000	SOP-4
TPC817S1C	200-400	50	6	70	80	6	50	150	200	5,000	SOP-4
TPC817S1D	300-600	50	6	70	80	6	50	150	200	5,000	SOP-4

(T_A=25°C unless otherwise noted)

Part Number	Polarity	V _{CE0}	V _{CBO}	V _{EBO}	I _c	DC Current Gain (Min.)	DC Current Gain (Max.)	V _{CE} (Sat.)	P _D	T _J Max.	Package Description
		(V)		(A)	h _{FE}		(V)	(W)	(°C)		
BC338-16	NPN	25	30	5	0.8	100	250	0.7	0.625	150	TO-92
BC338-25	NPN	25	30	5	0.8	160	400	0.7	0.625	150	TO-92
BC338-40	NPN	25	30	5	0.8	250	630	0.7	0.625	150	TO-92
BC548A	NPN	30	30	6	0.1	110	220	-	0.5	150	TO-92
BC548B	NPN	30	30	6	0.1	200	450	-	0.5	150	TO-92
BC548C	NPN	30	30	6	0.1	420	800	-	0.5	150	TO-92
BC549A	NPN	30	30	6	0.1	110	220	-	0.5	150	TO-92
BC549B	NPN	30	30	6	0.1	200	450	-	0.5	150	TO-92
BC549C	NPN	30	30	6	0.1	420	800	-	0.5	150	TO-92
BC848A	NPN	30	30	6	0.1	110	220	0.5	0.2	150	SOT-23
BC848B	NPN	30	30	6	0.1	200	450	0.5	0.2	150	SOT-23
BC848C	NPN	30	30	6	0.1	420	800	0.5	0.2	150	SOT-23
BC848AW	NPN	30	30	5	0.1	110	220	0.77	0.2	150	SOT-323
BC848BW	NPN	30	30	5	0.1	200	450	0.77	0.2	150	SOT-323
BC848CW	NPN	30	30	5	0.1	420	800	0.77	0.2	150	SOT-323
BC849AW	NPN	30	30	5	0.1	110	220	0.77	0.2	150	SOT-323
BC849BW	NPN	30	30	5	0.1	200	450	0.77	0.2	150	SOT-323
BC849CW	NPN	30	30	5	0.1	420	800	0.77	0.2	150	SOT-323
MMBT3904	NPN	40	60	6	0.2	100	400	0.3	0.3	150	SOT-23
MMBT3904L	NPN	40	60	6	0.2	100	400	0.3	0.3	150	SOT-23
MMBT2222A	NPN	40	75	6	0.6	50	300	1	0.3	150	SOT-23
BC550A	NPN	45	45	6	0.1	110	220	-	0.5	150	TO-92
BC550B	NPN	45	45	6	0.1	200	450	-	0.5	150	TO-92
BC550C	NPN	45	45	6	0.1	420	800	-	0.5	150	TO-92
BC547A	NPN	45	50	6	0.1	110	220	-	0.5	150	TO-92
BC547B	NPN	45	50	6	0.1	200	450	-	0.5	150	TO-92
BC547C	NPN	45	50	6	0.1	420	800	-	0.5	150	TO-92
BC847A	NPN	45	50	6	0.1	110	220	0.5	0.2	150	SOT-23
BC847AW	NPN	45	50	6	0.1	110	220	0.77	0.2	150	SOT-323
BC847B	NPN	45	50	6	0.1	200	450	0.5	0.2	150	SOT-23
BC847BW	NPN	45	50	6	0.1	200	450	0.77	0.2	150	SOT-323
BC847C	NPN	45	50	6	0.1	420	800	0.5	0.2	150	SOT-23
BC847CW	NPN	45	50	6	0.1	420	800	0.77	0.2	150	SOT-323
BC850AW	NPN	45	50	5	0.1	110	220	0.77	0.2	150	SOT-323
BC850BW	NPN	45	50	5	0.1	200	450	0.77	0.2	150	SOT-323
BC850CW	NPN	45	50	5	0.1	420	800	0.77	0.2	150	SOT-323
BC817-16	NPN	45	50	5	0.5	100	250	0.7	0.3	150	SOT-23
BC817-16W	NPN	45	50	5	0.5	100	250	0.7	0.2	150	SOT-323
BC817-25	NPN	45	50	5	0.5	160	400	0.7	0.3	150	SOT-23
BC817-25W	NPN	45	50	5	0.5	160	400	0.7	0.2	150	SOT-323
BC817-40	NPN	45	50	5	0.5	250	600	0.7	0.3	150	SOT-23
BC817-40W	NPN	45	50	5	0.5	250	600	0.7	0.2	150	SOT-323
BC337-16	NPN	45	50	5	0.8	100	250	0.7	0.625	150	TO-92
BC337-25	NPN	45	50	5	0.8	160	400	0.7	0.625	150	TO-92
BC337-40	NPN	45	50	5	0.8	250	630	0.7	0.625	150	TO-92

DIP-4

DIP-4M

SOP-4



BIPOLAR TRANSISTORS - NPN

Part Number	Polarity	V _{CEO}	V _{CBO}	V _{EBO}	I _C	DC Current Gain (Min.)	DC Current Gain (Max.)	V _{CE} (Sat.)	P _D	T _J Max.	Package Description
		(V)			(A)	h _{FE}		(V)	(W)	(°C)	
KTC3198-BL	NPN	50	60	5	0.15	70	140	0.25	0.5	150	TO-92
KTC3198-GR	NPN	50	60	5	0.15	120	240	0.25	0.5	150	TO-92
KTC3198-O	NPN	50	60	5	0.15	200	400	0.25	0.5	150	TO-92
KTC3198-Y	NPN	50	60	5	0.15	300	700	0.25	0.5	150	TO-92
TSC5988CT	NPN	60	150	6	6	100	300	0.55	-	-	TO-92
BC546A	NPN	65	80	6	0.1	110	220	-	0.5	150	TO-92
BC546B	NPN	65	80	6	0.1	200	450	-	0.5	150	TO-92
BC546C	NPN	65	80	6	0.1	420	800	-	0.5	150	TO-92
BC846A	NPN	65	80	6	0.1	110	220	0.5	0.2	150	SOT-23
BC846AW	NPN	65	80	6	0.1	110	220	0.77	0.2	150	SOT-323
BC846B	NPN	65	80	6	0.1	200	450	0.5	0.2	150	SOT-23
BC846BW	NPN	65	80	6	0.1	200	450	0.77	0.2	150	SOT-323
BC846CW	NPN	65	80	6	0.1	420	800	0.77	0.2	150	SOT-323
TSC4505CX	NPN	400	400	6	0.3	100	270	0.5	-	-	SOT-23
TSC873CT	NPN	400	600	9	0.3	80	-	0.5	-	-	TO-92
TSC873CW	NPN	400	600	7	0.3	80	-	0.5	-	-	SOT-223
TSC966CT	NPN	400	600	7	0.3	100	300	0.5	-	-	TO-92
TSC966CW	NPN	400	600	7	0.3	100	300	0.5	-	-	SOT-223
TS13002ACT	NPN	400	700	9	0.3	20	40	1.5	-	-	TO-92
TSC5302DCH	NPN	400	700	9	2	8	25	3	-	-	TO-251 (I-PAK)
TSC5302DCP	NPN	400	700	9	2	8	25	3	-	-	TO-252 (D-PAK)
TS13005CK	NPN	400	700	9	3	5	30	1	-	150	TO-126
TSC5303DCH	NPN	400	700	9	3	8	25	3	-	-	TO-251 (I-PAK)
TSC5303DCP	NPN	400	700	9	3	8	25	3	-	-	TO-252 (D-PAK)
TSC5304EDCH	NPN	400	700	9	4	8	25	3	-	-	TO-251 (I-PAK)
TSC5304EDCP	NPN	400	700	9	4	8	25	3	-	-	TO-252 (D-PAK)
TSC5802DCH	NPN	450	1,050	15	2.5	18	100	3	-	-	TO-251 (I-PAK)
TSC5802DCP	NPN	450	1,050	15	2.5	18	100	3	-	-	TO-252 (D-PAK)
TSC741CZ	NPN	450	1,050	15	2.5	18	100	2	-	-	TO-220
TSC5804DCH	NPN	450	1,050	15	5	25	100	2	-	-	TO-251 (I-PAK)
TSC5804DCP	NPN	450	1,050	15	5	25	100	2	-	-	TO-252 (D-PAK)
TSC742CZ	NPN	450	1,050	15	5	23	100	1.5	-	-	TO-220

BIPOLAR TRANSISTORS - PNP

(T_A=25°C unless otherwise noted)

Part Number	Polarity	V _{CEO}	V _{CBO}	V _{EBO}	I _C	DC Current Gain (Min.)	DC Current Gain (Max.)	V _{CE} (Sat.)	P _D	T _J Max.	Package Description
		(V)			(A)	h _{FE}		(V)	(W)	(°C)	
BC858C	PNP	-30	-30	-5	-0.1	420	800	-0.65	0.2	150	SOT-23
BC858B	PNP	-30	-30	-5	-0.1	220	475	-0.65	0.2	150	SOT-23
BC858A	PNP	-30	-30	-5	-0.1	125	250	-0.65	0.2	150	SOT-23
TSA1036CX	PNP	-30	-40	-5	-0.6	82	560	-0.5	-	-	SOT-23
TSB772CK	PNP	-30	-50	-5	-3	100	500	-0.5	1	150	TO-126
MMBT3906	PNP	-40	-40	-5	-0.2	100	300	-0.4	0.35	150	SOT-23
MMBT3906L	PNP	-40	-40	-5	-0.2	100	300	-0.4	0.35	150	SOT-23
BC807-40W	PNP	-45	-50	-5	0.5	250	600	0.7	0.2	150	SOT-323
BC807-25W	PNP	-45	-50	-5	0.5	160	400	0.7	0.2	150	SOT-323
BC807-16W	PNP	-45	-50	-5	0.5	100	250	0.7	0.2	150	SOT-323
BC857C	PNP	-45	-50	-5	-0.1	420	800	-0.65	0.2	150	SOT-23
BC857B	PNP	-45	-50	-5	-0.1	220	475	-0.65	0.2	150	SOT-23
BC857A	PNP	-45	-50	-5	-0.1	125	250	-0.65	0.2	150	SOT-23
BC807-40	PNP	-45	-50	-5	-0.5	250	600	-0.7	0.3	150	SOT-23
BC807-25	PNP	-45	-50	-5	-0.5	160	400	-0.7	0.3	150	SOT-23
BC807-16	PNP	-45	-50	-5	-0.5	100	250	-0.7	0.3	150	SOT-23
MMBT2907A	PNP	-60	-60	-5	-0.6	50	100	-0.4	0.35	150	SOT-23
BC856B	PNP	-65	-80	-5	-0.1	220	475	-0.65	0.2	150	SOT-23
BC856A	PNP	-65	-80	-5	-0.1	125	250	-0.65	0.2	150	SOT-23
TSA874CW	PNP	-500	-500	-5	-0.15	100	300	-0.5	-	-	SOT-223
TSA884CX	PNP	-500	-500	-5	-0.15	100	300	-0.5	-	-	SOT-23
TSA894CT	PNP	-500	-500	-5	-0.15	100	300	-0.5	-	-	TO-92
TSA1765CW	PNP	-600	-560	-7	-0.15	80	300	-0.5	-	-	SOT-223

DIGITAL TRANSISTOR - COMPLEX

(T_A=25°C unless otherwise noted)

Part Number	Polarity	R ₁	R ₂	P _D	I _O	V _{CBO}	V _{CEO}	V _{EBO}	G _i	G _o	GI @ IO	f _r (Typ.)	T _J Max.	Package Description
		(kΩ)	(kΩ)	(mW)	(mA)	(V)			(Min.)	(Max.)	(mA)	(MHz)	(°C)	
UMH11N	NPN+NPN	10	10	150	100	-	50	40	30	-	5	250	150	SOT-363

TO-126

TO-92



SOT-323



SOT-23



SOT-363



SOT-223



THYRISTORS

ANALOG ICS - RESET IC

(T_A=25°C unless otherwise noted)

Part Number	V _{DRM} & V _{RRM}	I _{TSM}	P _{GM}	V _{GRM}	I _{DRM} & I _{RRM}	V _{TM}	I _{GFM}	Packages Description	Arrays
	(V)	(A)	(W)	(V)	(μA)	(V)	(A)		
MCR100-3	100	10	0.1	5	10	1.7	1	TO-92	KGA
MCR100-4	200	10	0.1	5	10	1.7	1	TO-92	KGA
MCR100-5	300	10	0.1	5	10	1.7	1	TO-92	KGA
MCR100-6	400	10	0.1	5	10	1.7	1	TO-92	KGA
MCR100-7	500	10	0.1	5	10	1.7	1	TO-92	KGA
MCR100-8	600	10	0.1	5	10	1.7	1	TO-92	KGA

(T_A=25°C unless otherwise noted)

Part Number	Supply Voltage (V _{cc})		Reset Output Type	Reset Threshold Voltage V _{th} (Typ.)	Supply Current I _{cc}	Accuracy of Reset Threshold Voltage V _{th}	Package Description
	(Min.)	(Max.)		(V)	(nA)	(± %)	
	(V)						
TS3809CXA	1	6	Active-Low, Push-pull	4.63	25	2	SOT-23
TS3809CXB	1	6	Active-Low, Push-pull	4.38	25	2	SOT-23
TS3809CXC	1	6	Active-Low, Push-pull	4.00	25	2	SOT-23
TS3809CXD	1	6	Active-Low, Push-pull	3.08	25	2	SOT-23
TS3809CXE	1	6	Active-Low, Push-pull	2.93	25	2	SOT-23
TS3809CXF	1	6	Active-Low, Push-pull	2.63	25	2	SOT-23
TS3809CXG	1	6	Active-Low, Push-pull	2.25	25	2	SOT-23
TS3810CXA	1	6	Active-High, Push-pull	4.63	25	2	SOT-23
TS3810CXB	1	6	Active-High, Push-pull	4.38	25	2	SOT-23
TS3810CXC	1	6	Active-High, Push-pull	4.00	25	2	SOT-23
TS3810CXD	1	6	Active-High, Push-pull	3.08	25	2	SOT-23
TS3810CXE	1	6	Active-High, Push-pull	2.93	25	2	SOT-23
TS3810CXF	1	6	Active-High, Push-pull	2.63	25	2	SOT-23
TS3810CXG	1	6	Active-High, Push-pull	2.25	25	2	SOT-23

AMPLIFIERS

(T_A=25°C unless otherwise noted)

Part Number	Channel	Supply Voltage (V _{cc})		Supply Current per Channel (V _{cc})		Input Offset Voltage		Input Bias Current		Gain Bandwidth Product	Slew Rate	Output Current Source (Typ.)	Package Description
		(Min.)	(Max.)	(Min.)	(Max.)	(Min.)	(Max.)	(Min.)	(Max.)				
		(V)		(mA)		(mV)		(nA)					
TS321CX5	1	-	32	0.7	1.2	2	7	45	50	1	0.4	40	SOT-25
TS358CD	2	-	32	0.7	1.2	2	7	-45	-250	1	0.4	40	DIP-8
TS358CS	2	-	32	0.7	1.2	2	7	-45	-250	1	0.4	40	SOP-8
TS34119CS	1	2	16	-	-	-	-	-200	-	1.5	-	-	SOP-8
TS34118CS28	1	3.5	6.5	5.5	8	-	-	-40	-	1	-	-	SOP-28

COMPARATORS

(T_A=25°C unless otherwise noted)

Part Number	Channel	Supply Voltage (V _{cc})		Supply Current per Channel (V _{cc})		Input Offset Voltage		Input Bias Current (Typ.)		Response Time	Input Common Mode Voltage Range		Package Description
		(Min.)	(Max.)	(Min.)	(Max.)	(Min.)	(Max.)	(Min.)	(Max.)				
		(V)		(mA)		(mV)		(nA)			(μs)	(V)	
TS331CX5	1	-	36	0.4	1	2	5	-	250	1.3	-	1.5	SOT-25
TS393CD	2	-	36	0.4	1	2	5	-	250	1.3	-	1.5	DIP-8
TS393CS	2	-	36	0.4	1	2	5	-	250	1.3	0.4	40	SOP-8

ANALOG ICS - OP AMP AND VREF

(T_A=25°C unless otherwise noted)

Part Number	Supply Voltage (V _{cc})		Input Offset Voltage (Max.)	Reference Voltage V _{ref}	Accuracy of Reference Voltage V _{ref}	Package Description
	(Min.)	(Max.)		(Typ.)	(± %)	
	(V)			(mV)	(V)	
TS103ACS	3	18	2	2.5	1	SOP-8
TS103CS	3	18	3	2.5	1	SOP-8

SOP-28



SOP-8



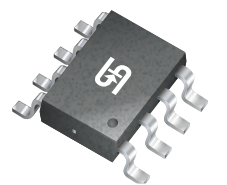
DIP-8



SOT-25



SOP-8



SOT-23



HALL EFFECT SENSORS

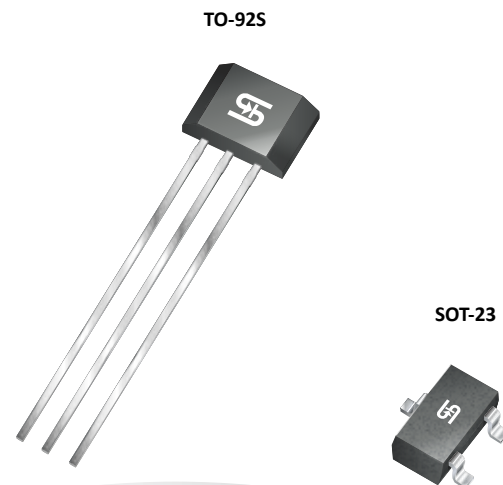
LED DRIVERS

(T_A=25°C unless otherwise noted)

Part Number	Type	Supply Voltage (V _{cc})		Output Current (mA)	Supply Current (Typ. (mA))	Magnetic Field Operating Point (B _{op})		Magnetic Field Release Point (B _{rp})		Package Description
		Min. (V)	Max. (V)			Min. (G)	Max. (G)	Min. (G)	Max. (G)	
		TSH251CT	Omni-Polar	1.65	3.5	1	1.4	-55	55	
TSH251CX	Omni-Polar	1.65	3.5	1	1.4	-55	55	10	-10	TSOT-23
TSH253CT	Omni-Polar	1.8	6	1	2.6	-60	60	5	-5	TO-92S
TSH253CX	Omni-Polar	1.8	6	1	2.6	-60	60	5	-5	SOT-23
TSH248CX	Omni-Polar	2.5	3.5	2	2.5	6	60	5	59	TSOT-23
TSH282CT	Unipolar	3	24	50	2.5	45	100	25	70	TO-92S
TSH282CX	Unipolar	3	24	50	2.5	45	100	25	70	SOT-23
TSH193CT	Latch	2.5	16	13	-	5	25	-25	-5	TO-92S
TSH193CX	Latch	2.5	16	13	-	5	25	-25	-5	SOT-23
TSH181CT	Latch	3.5	20	25	4	5	90	-90	-5	TO-92S
TSH190CT	Latch	4	30	25	3	10	110	-110	-10	TO-92S
TSH190CX	Latch	4	30	25	3	10	110	-110	-10	SOT-23
TSH188CT	Latch	2.5	24	50	5	5	25	-25	-5	TO-92S
TSH188CX	Latch	2.5	24	50	5	5	25	-25	-5	SOT-23
TSH481CT	Linear	3	6.5	10	2.5	-800	800	-	-	TO-92S

(T_A=25°C unless otherwise noted)

Part Number	Topology	Active PFC	Supply Voltage (V _{cc})		Switch Output Current I _{sw} (Typ.)		Dimming			Switching Frequency		Package Description
			(Min.)	(Max.)	A		PWM	LINEAR	TRIAC	(Min.)	(Max.)	
			(V)							(kHz)		
TS19450CS	Buck (Step-down)	-	8	450	-	External N-MOS	Yes	Yes	-	-	-	SOP-8
TS19460CS	Buck (Step-down)	-	8	450	-	External N-MOS	Yes	Yes	-	-	-	SOP-8
TS19451CY	Buck (Step-down)	-	-	475	0.05	-	-	-	-	-	-	SOT-89
TS19452CS	Buck (Step-down)	-	-	475	0.1	-	-	-	-	-	-	SOP-8
TS19702CX6	Buck (Step-down)	Yes	-	30	-	External N-MOS	Yes	Yes	-	42	48	SOT-26
TS19720CX6	Buck (Step-down)	Yes	-	40	-	External N-MOS	-	-	-	3	6	SOT-26
TS19371CX6	Boost (Step-up)	-	2.5	18	0.65	-	Yes	-	-	800	1,600	SOT-26
TS19375CS	Boost (Step-up)	-	3	24	-	External N-MOS	Yes	-	-	400	600	SOP-8
TS19751ACS	Buck (Step-down)	-	17	21	0.5	-	-	-	-	40	150	SOP-8
TS19751BCS	Buck (Step-down)	-	17	21	0.8	-	-	-	-	40	150	SOP-8
TS19377CS	Buck (Step-down)	-	3.6	23	2	-	-	-	-	-	330	SOP-8
TS19376CY5	Buck (Step-down)	-	8	32	1	-	Yes	-	-	-	1,000	SOT-89-5L
TS19378CS	Buck (Step-down)	-	8	40	2	-	Yes	-	-	-	300	SOP-8
TS19720CX6	Buck (Step-down)	Yes	-	40	-	External N-MOS	-	-	-	3	6	SOT-26
TS19721ACS	Buck (Step-down)	Yes	-	40	3.3	-	-	-	-	3	6	SOP-8
TS19721DCS	Buck (Step-down)	Yes	-	40	3.3	-	-	-	-	3	6	SOP-8
TS19450CS	Buck (Step-down)	-	8	450	-	External N-MOS	Yes	Yes	-	-	-	SOP-8
TS19460CS	Buck (Step-down)	-	8	450	-	External N-MOS	Yes	Yes	-	-	-	SOP-8
TS19451CY	Buck (Step-down)	-	-	475	0.05	-	-	-	-	-	-	SOT-89
TS19452CS	Buck (Step-down)	-	-	475	0.1	-	-	-	-	-	-	SOP-8
TS19730CX6	Buck-Boost	Yes	-	40	-	External N-MOS	-	-	-	40	60	SOT-26
TS19601CP5	Linear	-	5	50	-	Adj~0.7	Yes	-	-	-	-	TO-252-5L (PPAK)
TS19603CS	Linear	-	5	50	-	Adj~0.4	Yes	-	-	-	-	SOP-8EP
TS19706CS	PSR FlyBack/Buck-Boost	Yes	7.8	34	-	-	-	-	-	45	150	SOP-8
TS19320CS	PSR FlyBack/Buck-Boost	Yes	8.3	35	-	External N-MOS	-	-	Yes	-	-	SOP-8
TS19705CX6	PSR FlyBack/Buck-Boost	Yes	-	38	-	External N-MOS	-	-	-	-	45	SOT-26
TS19340CS14	Secondary Side Controller	-	7.6	38	-	-	Yes	Yes	-	-	-	SOP-14



LINEAR VOLTAGE REGULATORS

LINEAR VOLTAGE REGULATORS

(T_A=25°C unless otherwise noted)

Part Number	Supply Voltage (V _{cc})		Output Voltage (V _{out})	Adjustable	Reference Voltage V _{ref}	Output Current I _{out} (Typ.)	Dropout Voltage V _{drop} (Typ.)	Quiescent Current I _q (Typ.)	Output Voltage Accuracy	Package Description
	(Min.)	(Max.)								
	(V)		(V)	(V)	(A)	(V)	(μA)	(± %)		
TS1117BCP	-	15	-	Yes	1.25	1	1.3	5,000	2	TO-252 (D-PAK)
TS1117BCP33	-	15	3.3	-	-	1	1.3	5,000	2	TO-252 (D-PAK)
TS1117BCP50	-	15	5	-	-	1	1.3	5,000	2	TO-252 (D-PAK)
TS1117BCW	-	15	-	Yes	1.25	1	1.3	5,000	2	SOT-223
TS1117BCW12	-	15	1.2	-	-	1	1.3	5,000	2	SOT-223
TS1117BCW25	-	15	2.5	-	-	1	1.3	5,000	2	SOT-223
TS1117BCW33	-	15	3.3	-	-	1	1.3	5,000	2	SOT-223
TS1117BCW50	-	15	5	-	-	1	1.3	5,000	2	SOT-223
TS2937CM33	-	26	3.3	-	-	0.5	0.6	2,500	2	TO-263AB (D ² -PAK)
TS2937CM50	-	26	5	-	-	0.5	0.6	2,500	2	TO-263AB (D ² -PAK)
TS2937CP33	-	26	3.3	-	-	0.5	0.6	2,500	2	TO-252 (D-PAK)
TS2937CP50	-	26	5	-	-	0.5	0.6	2,500	2	TO-252 (D-PAK)
TS2937CW33	-	26	3.3	-	-	0.5	0.6	2,500	2	SOT-223
TS2937CW50	-	26	5	-	-	0.5	0.6	2,500	2	SOT-223
TS2937CZ33	-	26	3.3	-	-	0.5	0.6	2,500	2	TO-220
TS2937CZ50	-	26	5	-	-	0.5	0.6	2,500	2	TO-220
TS2938CS33	-	26	3.3	-	-	0.5	0.5	2,500	2	SOP-8
TS2938CS50	-	26	5	-	-	0.5	0.5	2,500	2	SOP-8
TS2940CM33	-	26	3.3	-	-	1	0.6	7,500	2	TO-263AB (D ² -PAK)
TS2940CM50	-	26	5	-	-	1	0.6	7,500	2	TO-263AB (D ² -PAK)
TS2940CP33	-	26	3.3	-	-	1	0.6	7,500	2	TO-252 (D-PAK)
TS2940CP50	-	26	5	-	-	1	0.6	7,500	2	TO-252 (D-PAK)
TS2940CW33	-	26	3.3	-	-	1	0.6	7,500	2	SOT-223
TS2940CW50	-	26	5	-	-	1	0.6	7,500	2	SOT-223
TS2940CZ33	-	26	3.3	-	-	1	0.6	7,500	2	TO-220
TS2940CZ50	-	26	5	-	-	1	0.6	7,500	2	TO-220
TS2950CT33	-	30	3.3	-	-	0.15	0.38	8,000	1.5	TO-92
TS2950CT50	-	30	5	-	-	0.15	0.38	8,000	1.5	TO-92
TS2951CS30	-	30	3.0	-	-	0.15	0.38	8,000	1.5	SOP-8
TS2951CS33	-	30	3.3	-	-	0.15	0.38	8,000	1.5	SOP-8
TS2951CS50	-	30	5	-	-	0.15	0.38	8,000	1.5	SOP-8
TS317CM	-	40	-	Yes	1.25	1	2	-	4	TO-263AB (D ² -PAK)
TS317CP	-	40	-	Yes	1.25	0.5	2	-	4	TO-252 (D-PAK)
TS317CW	-	40	-	Yes	1.25	0.5	2	-	4	SOT-223
TS317CZ	-	40	-	Yes	1.25	1	2	-	4	TO-220
TS317LCS	-	40	-	Yes	1.25	0.1	2	-	4	SOP-8
TS3480CX33	-	30	3.3	-	-	0.1	0.95	3,000	2	SOT-23
TS3480CX50	-	30	5	-	-	0.1	0.95	3,000	2	SOT-23
TS39104CS	-	20	-	Yes	1.25	1	0.4	1,700	2	SOP-8
TS4264CW50	-	45	5	-	-	0.15	0.25	10,000	2	SOT-223
TS4264GCW50	-	45	5	-	-	0.15	0.25	1,700	2	SOT-223
TS5204CQ33	-	20	3.3	-	-	0.08	0.3	2,600	3	DFN 22
TS5204CX33	-	20	3.3	-	-	0.08	0.3	2,600	4	SOT-23
TS5204CX50	-	20	5	-	-	0.08	0.3	2,600	4	SOT-23

Part Number	Supply Voltage (V _{cc})		Output Voltage (V _{out})	Adjustable	Reference Voltage V _{ref}	Output Current I _{out} (Typ.)	Dropout Voltage V _{drop} (Typ.)	Quiescent Current I _q (Typ.)	Output Voltage Accuracy	Package Description
	(Min.)	(Max.)								
	(V)		(V)	(V)	(V)	(A)	(V)	(μA)	(± %)	
TS5204CY50	-	20	5	-	-	0.08	0.3	2,600	4	SOT-89
TS5205CX5	-	20	-	Yes	1.25	0.15	0.17	1,300	2	SOT-25
TS5205CX525	-	20	2.5	-	-	0.15	0.17	1,300	2	SOT-25
TS5205CX533	-	20	3.3	-	-	0.15	0.17	1,300	2	SOT-25
TS5205CX550	-	20	5	-	-	0.15	0.17	1,300	2	SOT-25
TS5213CX533	-	20	3.3	-	-	0.08	0.32	1,800	3	SOT-25
TS5213CX550	-	20	5	-	-	0.08	0.32	1,800	3	SOT-25
TS7805CZ	-	35	5	-	-	1	2	4,300	4	TO-220
TS7808CZ	-	35	8	-	-	1	2	4,300	4	TO-220
TS7809CZ	-	35	9	-	-	1	2	4,300	4	TO-220
TS7812CZ	-	35	12	-	-	1	2	4,300	4	TO-220
TS7824CZ	-	40	24	-	-	1	2	4,300	4	TO-220
TS78L03ACY	-	30	3.0	-	-	0.1	2	3,000	4	SOT-89
TS78L03CS	-	30	3.0	-	-	0.1	2	3,000	4	SOP-8
TS78L03CT	-	30	3.0	-	-	0.1	2	3,000	4	TO-92
TS78L03CX	-	30	3.0	-	-	0.1	2	3,000	4	SOT-23
TS78L05ACY	-	35	5	-	-	0.1	2	3,000	4	SOT-89
TS78L05CS	-	35	5	-	-	0.1	2	3,000	4	SOP-8
TS78L05CT	-	35	5	-	-	0.1	2	3,000	4	TO-92
TS78L05CX	-	35	5	-	-	0.1	2	3,000	4	SOT-23
TS78L09ACY	-	35	9	-	-	0.1	2	3,000	4	SOT-89
TS78L09CS	-	35	9	-	-	0.1	2	3,000	4	SOP-8
TS78L09CT	-	35	9	-	-	0.1	2	3,000	4	TO-92
TS78L09CX	-	35	9	-	-	0.1	2	3,000	4	SOT-23
TS78L12ACY	-	35	12	-	-	0.1	2	3,000	4	SOT-89
TS78L12CS	-	35	12	-	-	0.1	2	3,000	4	SOP-8
TS78L12CT	-	35	12	-	-	0.1	2	3,000	4	TO-92
TS78L15ACY	-	35	15	-	-	0.1	2	3,000	4	SOT-89
TS78L15CS	-	35	15	-	-	0.1	2	3,000	4	SOP-8
TS78L15CT	-	35	15	-	-	0.1	2	3,000	4	TO-92
TS78L24CS	-	40	24	-	-	0.1	2	3,000	4	SOP-8
TS78M05ACP	-	35	5	-	-	0.5	2	3,000	2	TO-252 (D-PAK)
TS78M05CP	-	35	5	-	-	0.5	2	3,000	4	TO-252 (D-PAK)
TS78M12CP	-	35	12	-	-	0.5	2	3,000	4	TO-252 (D-PAK)
TS79L05CT	-	-35	-5	-	-	1	2	4,000	4	TO-92
TS79L05CY	-	-35	-5	-	-	1	2	4,000	4	SOT-89
TS79L09CT	-	-35	-9	-	-	1	2	4,000	4	TO-92
TS79M05CP	-	-35	-5	-	-	0.5	2	4,000	4	TO-252 (D-PAK)
TS79M05CZ	-	-35	-5	-	-	0.5	2	4,000	4	TO-220
TS79M12CP	-	-35	-12	-	-	0.5	2	4,000	4	TO-252 (D-PAK)
TS90115CX	-	12	5	-	-	0.25	0.4	2	2	SOT-23
TS90115CY	-	12	5	-	-	0.25	0.4	2	2	SOT-89
TS9011DCX	-	12	1.8	-	-	0.25	0.4	2	2	SOT-23
TS9011DCY	-	12	1.8	-	-	0.25	0.4	2	2	SOT-89

LINEAR VOLTAGE REGULATORS

Part Number	Supply Voltage (V _{cc})		Output Voltage (V _{out})	Adjustable	Reference Voltage V _{ref}	Output Current I _{out} (Typ.)	Dropout Voltage V _{drop} (Typ.)	Quiescent Current I _q (Typ.)	Output Voltage Accuracy	Package Description
	(Min.)	(Max.)								
	(V)		(V)	(V)	(V)	(A)	(V)	(μA)	(± %)	
TS9011KCX	-	12	2.5	-	-	0.25	0.4	2	2	SOT-23
TS9011KCY	-	12	2.5	-	-	0.25	0.4	2	2	SOT-89
TS9011PCY	-	12	3.0	-	-	0.25	0.4	2	2	SOT-89
TS9011SCX	-	12	3.3	-	-	0.25	0.4	2	2	SOT-23
TS9011SCY	-	12	3.3	-	-	0.25	0.4	2	2	SOT-89
TS90135CW	-	12	5	-	-	0.5	0.3	15	2	SOT-223
TS9013KCW	-	12	2.5	-	-	0.5	0.6	15	2	SOT-223
TS9013SCW	-	12	3.3	-	-	0.5	0.5	15	2	SOT-223
TS9013SCY	-	12	3.3	-	-	0.5	0.5	15	2	SOT-89
TS9015CX5	2	7	-	Yes	0.9	0.3	0.3	50	2	SOT-25

SWITCHING REGULATORS

(T_A=25°C unless otherwise noted)

Part Number	Topology	Synchronous Rectification	Supply Voltage (V _{cc})		Fixed Output Voltage (V _{out})	Adjustable Output Voltage (V _{out})	Switch Output Current ISW (Typ.)		Switching Frequency		Quiescent Current (Typ.)	Package Description
			(Min.)	(Max.)			(A)	(A)	(Min.)	(Max.)		
			(V)		(V)	(V)			(A)	(A)	(kHz)	(mA)
TS1935BCX5	Boost (Step-up)	No	2.7	5.5	-	Adj (1.238V Vref)	1.9	-	-	1,200	0.15	SOT-25
TS2509CS	Buck (Step-down)	No	4.5	23	-	Adj (0.8V Vref)	3	-	-	500	3	SOP-8
TS2581CS	Buck (Step-down)	No	4.5	40	-	Adj (1V Vref)	-	External P-MOS	-	100	3	SOP-8
TS2596CM5	Buck (Step-down)	No	4.5	40	-	Adj (1.23V Vref)	3	-	-	150	5	TO-263-5L (D ² -PAK)
TS2596CM533	Buck (Step-down)	No	4.5	40	3.3	-	3	-	-	150	5	TO-263-5L (D ² -PAK)
TS2596CM550	Buck (Step-down)	No	4.5	40	5	-	3	-	-	150	5	TO-263-5L (D ² -PAK)
TS2596SCS	Buck (Step-down)	No	4.5	24	-	Adj (1.23V Vref)	2	-	-	150	4	SOP-8
TS2596SCS50	Buck (Step-down)	No	4.5	24	5	-	2	-	-	150	4	SOP-8
TS34063CD	Buck (Step-down)	No	3	40	-	Adj (1.25V Vref)	1.5	-	0.1	100	3	DIP-8
TS34063CS	Buck (Step-down)	No	3	40	-	Adj (1.25V Vref)	1.5	-	0.1	100	3	SOP-8
TS3410CX5	Buck (Step-down)	Yes	2.5	6	-	Adj (0.6V Vref)	1	-	-	1,400	0.25	SOT-25
TS3552CS	Buck (Step-down)	Yes	4.75	23	-	Adj (0.925V Vref)	2	-	-	350	-	SOP-8

VOLTAGE REFERENCES

(T_A=25°C unless otherwise noted)

Part Number	Supply Voltage (V _{cc})		Reference Voltage V _{ref}	Accuracy of Reference Voltage V _{ref}	Operating Cathode Current I _{ka}		Operating Temperature T _j		Package Description
	(Min.)	(Max.)			(Typ.)	(Max.)	(Min.)	(Max.)	
	(V)		(V)	(± %)	(mA)	(mA)	(°C)		
TS432BCT	-	18	1.24	0.5	0.02	0.08	0	70	TO-92
TS432BCX	-	18	1.24	0.5	0.02	0.08	0	70	SOT-23
TS432BIX	-	18	1.24	0.5	0.02	0.08	-40	85	SOT-23
TS431BCX-Z	-	36	2.495	0.5	0.2	0.5	-20	85	SOT-23
TS431BRIX-Z	-	36	2.495	0.5	0.2	0.5	-40	125	SOT-23
TS1431BCX	-	37	2.495	0.5	0.4	0.6	0	70	SOT-23
TS431BCS	-	37	2.495	0.5	0.4	0.6	0	70	SOP-8
TS431BCT	-	37	2.495	0.5	0.4	0.6	0	70	TO-92
TS431BCX	-	37	2.495	0.5	0.4	0.6	0	70	SOT-23
TS432ACT	-	18	1.24	1	0.02	0.08	0	70	TO-92
TS432ACX	-	18	1.24	1	0.02	0.08	0	70	SOT-23
TS432AIX	-	18	1.24	1	0.02	0.08	-40	105	SOT-23
TS431ACX-Z	-	36	2.495	1	0.2	0.5	-20	85	SOT-23
TS431ARCX-Z	-	36	2.495	1	0.2	0.5	-20	85	SOT-23
TS431ARIX-Z	-	36	2.495	1	0.2	0.5	-40	125	SOT-23
TS1431ACX	-	37	2.495	1	0.4	0.6	0	70	SOT-23
TS431ACS	-	37	2.495	1	0.4	0.6	0	70	SOP-8
TS431ACT	-	37	2.495	1	0.4	0.6	0	70	TO-92
TS431ACX	-	37	2.495	1	0.4	0.6	0	70	SOT-23
TS431CS	-	37	2.495	2	0.4	0.6	0	70	SOP-8

