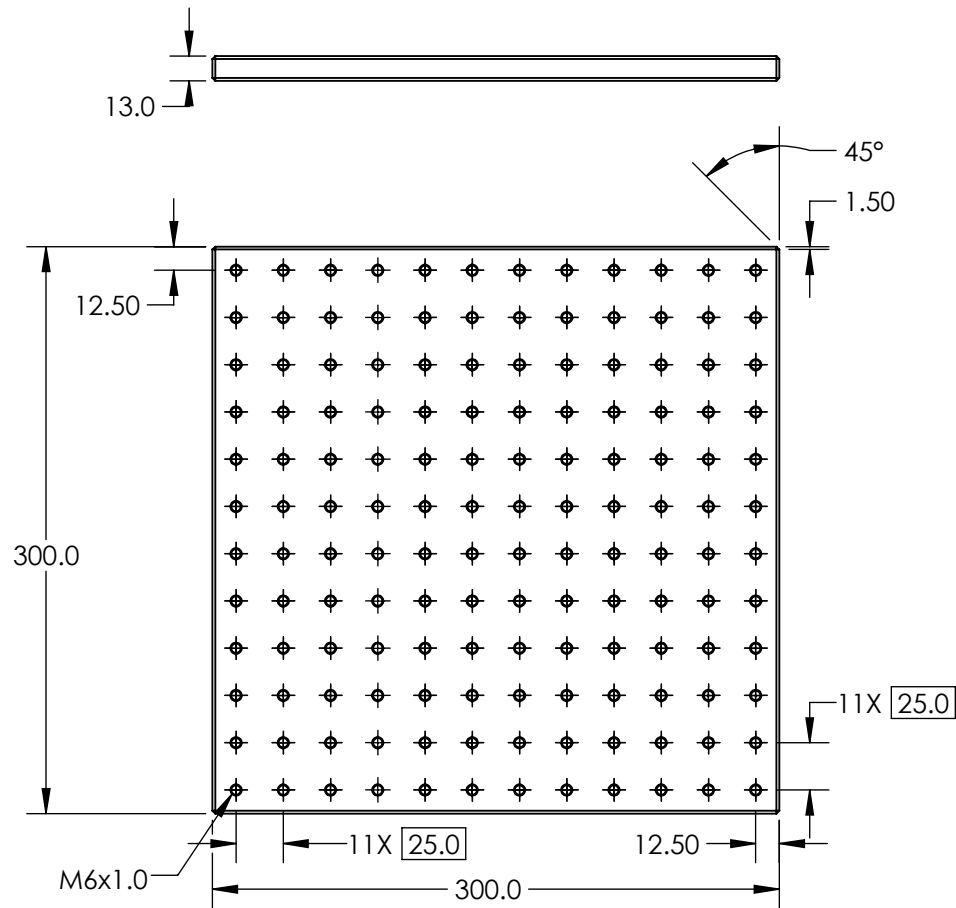


NOTES:

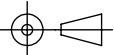
1. MATERIAL: BLACK ANODIZED ALUMINUM



SPECIFICATIONS SUBJECT TO CHANGE WITHOUT NOTICE  
DIMENSIONS ARE FOR REFERENCE ONLY

**FOR INFORMATION ONLY:  
DO NOT MANUFACTURE  
PARTS TO THIS DRAWING**

**EO<sup>®</sup> Edmund Optics<sup>®</sup>**

THIRD ANGLE PROJECTION 		TITLE	300mm x 300mm, BREADBOARD	
ALL DIMS IN	mm	DWG NO	54638	SHEET 1 OF 1