

# MEMS Variable Optical Attenuator



## FEATURES

Low IL, Low PDL, Low WDL  
 Fast Response  
 Compact Package  
 GR-1221 Qualified

## APPLICATION

Optical Power Control/equalization  
 Gain Tilt Control in EDFA  
 Receiver Protection

## PERFORMANCE SPECIFICATIONS

Parameter	Specifications
Operating Wavelength*	1525 ~ 1610
Insertion Loss	≤ 0.8dB
Polarization Dependent Loss	≤ 0.1 @ 0dB
	≤ 0.2 @0 ~ 10dB
	≤ 0.4 @10 ~ 20 dB
Temperature Dependent Loss	≤ ±0.1 @ 0dB
	≤ ±1.0 @0 ~ 10dB
	≤ ±2.0 @10 ~ 20 dB
Wavelength Dependent Loss	≤ 0.2 @ 0dB
	≤ 1.0 @0 ~ 10dB
	≤ 2.0@10 ~ 20 dB
Return Loss	≥ 45dB
Attenuation Range	≥ 35dB
Repeatability	≤ 0.1dB
Response Time	5ms
Operating Voltage	7V or 20V
Operating Temperature	- 5 to +70°C
Package Dimensions (mm)	See "MECHANICAL DIMENSIONS"

Note:

\*Other wavelengths are available upon request.

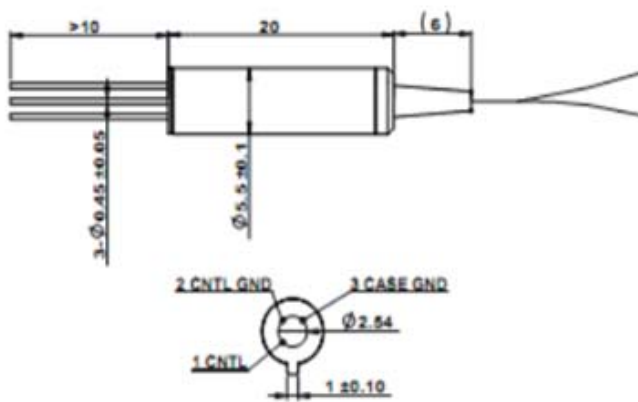
All values referenced are without connector.

## Variable Optical Attenuator (Manual and MEMS)

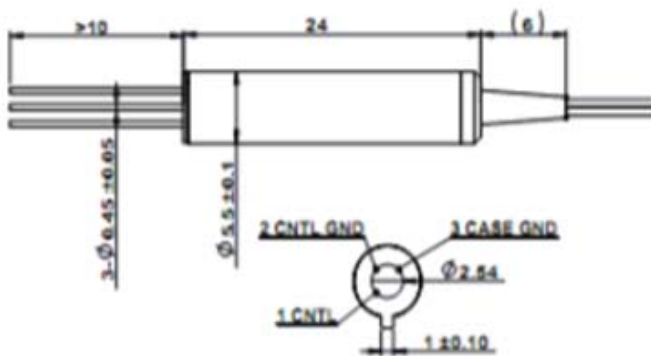
### MECHANICAL DIMENSIONS

A Package

Bare Fiber



900um Fiber



## Variable Optical Attenuator (Manual and MEMS)

### PORT CONFIGURATION



### ORDERING INFORMATION

EVOA	Off state	Voltage	Operating Wavelength	Package	Fiber Type	Pigtail Style	Fiber Length	In/Out Connector
T=Transparent	1 = 7V	5261=1525-1610nm	A=A Package	1=SMF-28(G.652)	1=Bare fiber	05=0.5m	0 = None	
O=Opaque	2 = 20V			2=SMF-28 Ultra (G.657.A1)	2=900um loose tube	10=1.0m	1 = FC/APC	
				3=ClearCurve ZBL(G.657.B3)		·	2 = FC/PC	
						·	3 = SC/APC	
						·	4 = SC/PC	
						20=2.0m	5 = ST	
							6 = LC/UPC	
							7 = LC/APC	